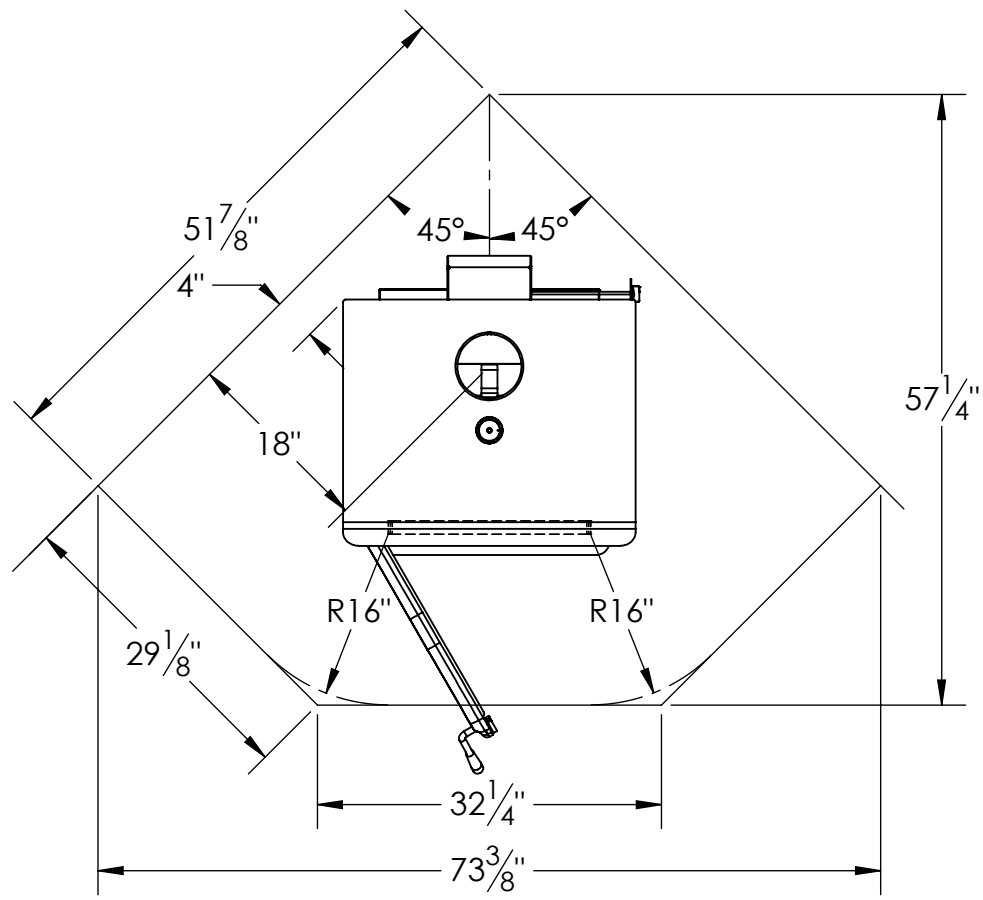


CANADA



USA

Valley Comfort Systems Inc
1290 Commercial way Penticton, BC V2A 3H5

Part Name		Part Number
SC30.1 corner clearance with ember protection		
Date	Revision date	Model
Oct 19 15	??	SC30.1
Drawn By	Quantity per	Material / Thickness
TJ	1	

All Dimensions in Inches				WEIGHT:
Tolerance				PUNCH BLANK SIZE:
General	Hole Size	Hole Pos	Angles	LASER BLANK SIZE:
+/- 0.03	+/- 0.005	+/- 0.03	+/- 0.5	