

CANADIAN HEARTH PAD

- *18" FROM FRONT FLANGE TO PAD FRONT
- *8" FROM UNIT SIDES TO PAD SIDES
- *8" FROM UNIT BACK TO PAD BACK

$8 + 27 \frac{1}{2} + 8 = 43 \frac{1}{2}$ " WIDE

$18 + 26 \frac{1}{8} + 8 = 52 \frac{1}{8}$ " DEEP

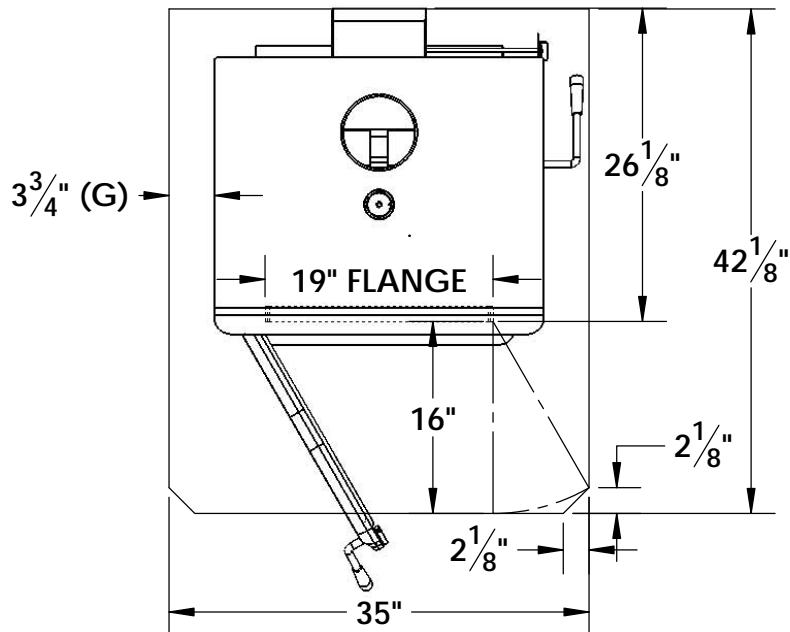
USA HEARTH PAD

- *16" FROM FRONT FLANGE TO PAD FRONT
- *8" FRONT FLANGE SIDES TO PAD SIDES
- *0" REAR CLEARANCE

$8 + 19 + 8 = 35$ " WIDE

$16 + 26 \frac{1}{8} + 0 = 42 \frac{1}{8}$ " DEEP

$G = 8 - 4 \frac{1}{4} = 3 \frac{3}{4}$ "



Valley Comfort Systems Inc
1290 Commercial way Penticton, BC V2A 3H5

Part Name		Part Number
SC30.1 hearth pad		
Date	Revision date	Model
Jun 25 14	??	SC30.1
Drawn By	Quantity per	Material / Thickness
TJ	1	

All Dimensions in Inches				WEIGHT:
Tolerance				PUNCH BLANK SIZE:
General	Hole Size	Hole Pos	Angles	LASER BLANK SIZE:
+/- 0.03	+/- 0.005	+/- 0.03	+/- 0.5	