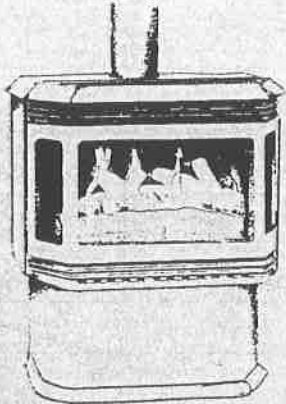


BLAZE KING™

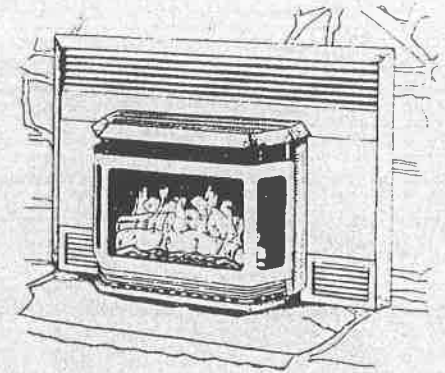
GAS APPLIANCES



PEGASUS 9201

Pegasus Freestanding Model 9201
Pegasus Insert Model 9101

Owner's Installation and Operations Manual



PEGASUS 9101

SAVE THESE INSTRUCTIONS

FOR YOUR SAFETY

If you smell gas:

1. Open Windows.
2. Do not touch any electrical switch.
3. Extinguish any open flame.
4. Immediately call your gas supplier.
5. If you cannot reach your gas supplier, call the Fire Department.

WARNING: IMPROPER INSTALLATION, ADJUSTMENT, ALTERATION, SERVICE OR MAINTENANCE CAN CAUSE INJURY OR PROPERTY DAMAGE, REFER TO THIS MANUAL FOR ASSISTANCE OR ADDITIONAL INFORMATION. CONSULT A QUALIFIED INSTALLER, SERVICE AGENCY OR GAS SUPPLIER.

DO NOT BURN WOOD, PAPER OR OTHER MATERIAL IN THIS APPLIANCE.

DO NOT STORE OR USE GASOLINE OR OTHER FLAMMABLE VAPORS AND LIQUIDS IN THE VICINITY OF THIS OR ANY OTHER APPLIANCE.

BLAZE KING manufactured in Canada by:
VALLEY COMFORT SYSTEMS INC.
1290 COMMERCIAL WAY
PENTICTON, BRITISH COLUMBIA V2A 3H5
(604) 493-7444

Dear Customer:

Thank you for purchasing this Blaze King gas appliance. It is our goal to have every purchaser of a Blaze King stove be a satisfied customer. This owner's manual explains the steps required to safely assemble, install, operate, and maintain your new appliance.

Be a responsible appliance owner. Carefully read these requirements for safe installation and proper operation BEFORE installing and using your appliance. Obtain permits from the Building Inspector or Fire Department if local laws require them. Check local building and Fire Codes before installing your appliance. When you have completed the installation, have it checked by your local inspector. Disregarding inspection and code requirements may jeopardize your homeowner's insurance. Contact your insurance agent since some insurance carriers require notification of an appliance installation. We want your Blaze King to give you a lifetime of trouble-free operation.

We have made every effort to make these installation and operating instructions as complete as possible. If you have any questions that have not been answered here, contact your BLAZE KING dealer, Local Building Inspector, or Fire Department.

The management and Employees of BLAZE KING CANADA.

KEEP THIS MANUAL FOR FUTURE REFERENCE!!

TABLE OF CONTENTS

SPECIFICATIONS MODEL 9101 and 9201	4
SAFETY NOTICE	5
WARRANTY	6
COPY OF LABEL	8
CAUTION	9
ELECTRICAL GROUNDING INSTRUCTIONS	9
PREPARATION & ASSEMBLY!	10
APPLIANCE ASSEMBLY	11
DRIFTWOOD & OAK LOG INSTALLATION.....	12
INSERT ASSEMBLY	14
PLANNING YOUR STOVE PLACEMENT.....	15
GAS CONNECTIONS.....	16
CLEARANCE DIAGRAM.....	17
VENT TERMINAL LOCATIONS.....	18
BURNER CONVERSION INSTRUCTION	20
ORIFICE SIZING TABLE	21
LIGHTING PREPARATION	22
LIGHTING INSTRUCTIONS	23
GAS FLAME ADJUSTMENT	24
WIRE DIAGRAMS	25
REPLACEMENT PARTS LIST	26

SPECIFICATIONS

MODEL 9101 and 9201

HIGH BURN STEADY STATE EFFICIENCY:

Natural Gas	84.73	80.70
LP Gas	84.84	82.22

	<u>NATURAL GAS</u>		<u>LP GAS</u>	
Input Rating (BTU/hr) 0-610 m 0-2,000 Ft. Alt. Orifice (DMS) 610 m	40,000		38,000	
	31		49	
Input Rating (BTU/hr) 610-1370 m 2,000-4,500 Ft, Alt Orifice (DMS) 1370 m	36,100		36,500	
	32		50	
Unit Factory Equipped for 0-610 m 0-2,000 Ft. Alt.	<u>NATURAL GAS</u>		<u>LP GAS</u>	
	<u>9201</u>	<u>9101</u>	<u>9201</u>	<u>9101</u>
Minimum Input (BTU/hr)	24,500	22,700	18,700	19,500
Maximum Output (BTU/hr)	32,300	33,200	31,200	32,200
Maximum Output Lo Setting (BTU/hr)	17,560	17,820	13,160	14,950
Manifold Pressure (in w.c./kPa)	3.5/.87		10.0/2.49	
Manifold Pressure Lo-setting (in w.c./kPa)	1.3/.42		2.7/.67	
Minimum Inlet Pressure (in w.c./kPa)	4.5/1.12		11.0/2.74	
Maximum Inlet Pressure (in w.c./kPa)	10.5/2.62		13.0/3.20	

Maximum outputs are with fans on.
Minimum outputs are with fans off.

Width	25"
Height	30"
Depth	18-1/4"
Weight	156 lbs.

The Blaze King Freestanding Gas Appliance has been tested, certified and listed by **WARNOCK HERSEY, INC.**, Middleton, WI 53562 for USA to ANSI Standard Z21.11.1 1991, for Canada CAN1-2.1-M89 "Gas-Fired Vented Room Heaters." and CAN/CGA-2.17-M91 "Gas-Fired Appliance for use at High Altitudes."

Gas appliances must be tested and certified by a nationally recognized testing and certification agency to ANSI Gas Appliance Safety Standard.

SAFETY NOTICE

IF THIS APPLIANCE IS NOT PROPERLY INSTALLED, A HOUSE FIRE MAY RESULT. FOR YOUR SAFETY, FOLLOW THE INSTALLATION DIRECTIONS. CONTACT LOCAL BUILDING OR FIRE OFFICIALS ABOUT RESTRICTIONS AND INSTALLATION REQUIREMENTS IN YOUR AREA. PLEASE READ THIS ENTIRE MANUAL BEFORE YOU INSTALL AND USE YOUR NEW APPLIANCE. FAILURE TO FOLLOW INSTRUCTIONS MAY RESULT IN PROPERTY DAMAGE, BODILY INJURY or DEATH.

CAUTIONS:

NEVER vent the appliance to other rooms or buildings. The appliance must be vented **ONLY** to the outside.

NEVER burn the appliance with the viewing door open.

FIRE EXTINGUISHER:

Every home should have at least one fire extinguisher. An approved Class A-B-C extinguisher should be mounted on the wall near an exit and close to the appliance, but not so close that accessibility to the extinguisher could be blocked by a fire. Your local Fire Department can advise you concerning the most appropriate location.

BUILDING AND FIRE CODES, PERMITS AND INSPECTIONS:

The installation of this gas appliance must comply with your local building and fire codes. Always contact your local Building Inspector and/or Fire Department before beginning the installation process. If required, obtain a permit before installation and have the completed installation inspected. Remember that not complying with building and/or fire codes may jeopardize your homeowner's insurance.

CHILDREN:

Do **NOT** allow children to play near the appliance or with the controls. Severe burns may be inflicted by touching the door or glass, the front, sides or top of the appliance. Train children to stay away from the appliance, and never leave children unattended in the room when the appliance is in operation.

SMOKE DETECTORS and CARBON MONOXIDE DETECTORS (CO-DETECTORS):

Install at least one smoke detector on each floor of your home to ensure your safety. It should be located away from the gas appliance and close to the sleeping areas. Follow the smoke detector manufacturers placement installation and maintenance instructions. Your local Fire Department may provide assistance in selecting smoke detectors and CO-detectors. It is strongly recommended, for your family's protection, that a CO-detector be placed in all homes that utilize gas in any form.

**THE APPLIANCE AREA MUST BE KEPT CLEAR FROM COMBUSTIBLE MATERIALS,
GASOLINE AND OTHER FLAMMABLE VAPORS OR LIQUIDS.**

BLAZE KING CANADA GAS APPLIANCE LIMITED WARRANTY

WARNING: TO VALIDATE THIS WARRANTY YOU MUST COMPLETE AND RETURN THE WARRANTY CARD WITHIN 20 DAYS OF THE DATE OF PURCHASE.

WHAT THE WARRANTY COVERS:

This warranty contains different terms that cover different parts of the gas appliance. Blaze King Canada warrants the STEEL COMPONENTS of the Blaze King Canada gas appliance, which is delivered with this warranty, against defects in material or workmanship to you, the original retail purchaser, (hereafter referred to as purchaser), for a period of up to five years following the date of original retail purchase, subject to the provisions of OUR RESPONSIBILITIES below. Blaze King Canada warrants the BLOWER MOTORS, DOOR GASKET, BLOWER MOTOR SPEED CONTROL, LOGS, GLASS, GOLD/NICKEL PLATING, PILOT ASSEMBLY, GAS VALVE and ELECTRONIC PARTS EXCLUDING THERMOPILE, which is delivered with this warranty, against defects in material or workmanship, to the original purchaser, for a period of one year following the date of retail purchase, subject to provisions of OUR RESPONSIBILITIES below. No person is authorized to modify this warranty or to make any additional warranties on behalf of the manufacturer, Blaze King Canada.

WHAT THE WARRANTY DOES NOT COVER:

Unless otherwise provided by law or covered by this warranty, Blaze King Canada is not responsible for removal, transportation or re-installation of any product repaired or replaced pursuant to this warranty. Blaze King Canada shall in no event be liable for special, incidental, consequential, indirect or other similar damages arising from the breach of this warranty, even if Blaze King Canada has been advised of the possibility of such damages. Some provinces do not allow the exclusion or limitation of incidental or consequential damages, so the above limitation or exclusion may not apply to you. Blaze King Canada limits all implied warranties, if any, including the warranties of merchantability or fitness for particular purpose, to one year from the date of original retail purchase. Some provinces do not allow limitations on how long implied warranty lasts, so the above limitation may not apply to you. Actions for breach of this warranty must be brought within one year of the expiration of this warranty.

HOW YOU CAN GET SERVICE:

If this product requires repair or replacement due to defects in material or workmanship covered by this warranty, contact your Blaze King Canada dealer and explain the defect. If the dealer does not repair or replace the product to your satisfaction, contact the Service Department of Blaze King Canada at the address shown on page one of this manual. Please explain the defect and state the model, serial number, date of purchase and the name and address of your Blaze King dealer. Blaze King Canada may request that the defective part, parts, or the entire stove, be shipped to Blaze King Canada at the purchaser's expense.

OUR RESPONSIBILITIES:

IF the purchaser has complied with all of the terms and conditions of this warranty and IF the purchaser has notified Blaze King Canada of a defect prior to the expiration of the respective warranty period and after shipment, Blaze King Canada will either repair or replace the product, **AT ITS ELECTION**, or **MAY ELECT** to refund a portion of the purchase price, based on the formula below, if it cannot readily and quickly provide the purchaser with a replacement, if the purchaser is willing to accept such a refund. The repaired product or replacement will be returned to a Blaze King Canada dealer nearest the purchaser at Blaze King Canada's expense. IF it is determined by Blaze King Canada that there is no defect, or that the defect resulted from causes not within the scope of this warranty, THEN the purchaser must bear the cost of storing the product and of returning the product to the purchaser. For parts of this appliance warranted beyond the first year, Blaze King Canada will have the same obligations as described in this paragraph, provided, however, that the purchaser shall pay the following percentage of the then-current retail cost of the repair or the replacement, according to the year after purchase in which the defect is brought to the attention of Blaze King Canada:

during the 2nd year purchaser pays 20%
during the 3rd year purchaser pays 40%
during the 4th year purchaser pays 60%
during the 5th year purchaser pays 80%

CONTINUED....
Warranty revised 9/95

BLAZE KING CANADA GAS APPLIANCE LIMITED WARRANTY

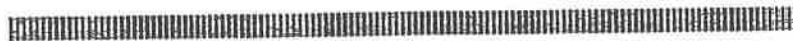
...CONTINUED

MISUSE OF STOVE NULLIFIES WARRANTY:

The above warranty is conditional upon the proper installation and use of the product according to the manufacturer's directions embodied in the Owner's Installation and Operation Instructions published by Blaze King Canada and in compliance with the local building or fire codes in the area where it is installed. The unit should be inspected by the Local Building Inspector or Fire Department prior to beginning use. A copy of the Owner's Installation and Operation Instructions is provided with each unit, or can be obtained by writing to Blaze King Canada at the address shown on page one of this manual. **READ THE OWNER'S INSTALLATION AND OPERATION INSTRUCTIONS BEFORE INSTALLING OR USING THE STOVE. SAVE THESE INSTRUCTIONS FOR FURTHER MAINTENANCE AND SAFETY PROCEDURES.** Alteration of, abuse of, damage to, lack of maintenance, faulty repair, or misuse of the product **VOIDS** this warranty. Such abuse includes using fuel other than what is specified in the Owner's Installation and Operation Instructions from your gas appliance.

OTHER LEGAL RIGHTS OF THE PURCHASER:

This warranty gives you specific legal rights, and you may have other rights that vary from province to province. All parts of this warranty are to be interpreted in accordance with the laws of British Columbia. If you do not agree to the purchase of the stove on the terms and conditions set out in this warranty, then you must return the stove to the dealer prior to use or installation, and the purchase price will be refunded.



**PLEASE KEEP YOUR RECEIPT, AS PROOF OF PURCHASE.
ALL WARRANTY CLAIMS SHOULD BE MADE THROUGH THE DEALER YOU
ORIGINALLY PURCHASED YOUR APPLIANCE FROM:**

**WARNING
TO VALIDATE THIS WARRANTY YOU MUST
COMPLETE AND RETURN THE WARRANTY CARD
WITHIN 20 DAYS OF THE DATE OF PURCHASE**

this product is proudly manufactured in Canada by:

VALLEY COMFORT SYSTEMS INC
1290 COMMERCIAL WAY
PENTICTON, BRITISH COLUMBIA V2A 3H5
(604) 493-7444

Wamock Hersey



Listed Gas-Fired Vent Room Heater

BLAZE KING Freestanding - 9201

BLAZE KING Insert - 9101

WH-

#0754A

Certified for U.S. and Canada
Homologuè Pour Le Canada

This stove is factory equipped for:

Natural Gas

Propane Gas

Tested to ANSI Z21.11.1-1991, CAN 1-2.1-M89 "Gas Fired Vented Room Heater"
and CAN/CGA-2.17-M89 "Gas-Fired Appliances for Use at High Altitudes"

	Natural Gas	LP Gas
Input Rating (Btu/hr) 0-610 m 0-2000 Ft. Alt.	40,000	38,000
Orifice (DMS) 0-610 m	31	#49
Input Rating (Btu/hr) 610-1370 m 2,000-4,500 Ft. Alt	36,100	34,300
Orifice (DMS) 610-1370 m	32	#50
Manifold Pressure (In w.c./kPa)	3.5/87	10.0/2.49
Manifold Pressure Lo Setting (In w.c./kPa)	1.3/32	2.7/67
Minimum Inlet Pressure (In w.c./kPa)	4.5/1.12	10.5/2.61

	Freestanding, Insert	Freestanding, Insert
Maximum Output (BTU/hr)	32,300	31,200
Minimum Input (Btu/hr)	24,500	18,700

Unit Factory Equipped for 0-610 m 0-2000 Ft. Alt.

This appliance must be installed in accordance with local codes if any; if not follow ANSI Z223.1 or CAN/CGA-B149. NOT FOR USE WITH SOLID FUEL.

MINIMUM CLEARANCES FROM COMBUSTIBLE CONSTRUCTION

Unit to Sidewall	11 in. (280 mm)
Unit to Backwall	6 in. (150 mm) to Flue Collar
Unit to Adjacent Wall Corner	4 in. (100 mm)
Alcove Minimum Width 47 in. (1190 mm)	Minimum Height 54 in. (1370 mm)
Maximum Depth 30 in. (760 mm)	
Minimum Mantel Height is 23" Above Unit	
18" Floor Protection Required if unit is not on a 6" elevated Heathh (9100 Insert Only)	
For more details, see Instruction Manual	

Electrical Rating: 115 Volts, .7 Amperes, 60 Hz

DANGER: Risk of electrical shock. Disconnect power before servicing unit. Do Not route power cord beneath heater.

BLAZE KING manufactured in Canada by:
VALLEY COMFORT SYSTEMS INC.
1290 COMMERCIAL WAY
PENTICTON, BRITISH COLUMBIA V2A 3H5
(604) 493-7444

Manufacture Date:

<input type="checkbox"/> 1994	<input type="checkbox"/> 1995	<input type="checkbox"/> 1996	<input type="checkbox"/> 1997
<input type="checkbox"/> JAN	<input type="checkbox"/> FEB	<input type="checkbox"/> MAR	<input type="checkbox"/> APRIL
<input type="checkbox"/> MAY	<input type="checkbox"/> JUNE	<input type="checkbox"/> JULY	<input type="checkbox"/> AUG
<input type="checkbox"/> SEPT	<input type="checkbox"/> OCT	<input type="checkbox"/> NOV	<input type="checkbox"/> DEC

CAUTIONS

This appliance installation must conform with local codes and with the National Fuel Gas code ANSI Z223.1-1992 or CAN 1-B149.

The appliance and its individual shut off valve must be disconnected from the gas supply piping system during any pressure testing of that system at test pressures in excess of 1/2psig. (3.5 kPa)

The appliance must be isolated from the gas supply piping system by closing its individual manual shut off valve during any pressure testing of the gas supply piping system at test pressures equal to or less than 1/2 psig. (3.5 kPa). The appliance installer must provide a 1/2 inch N.P.T. plugged tapping accessibility for test gage connection immediately upstream of the gas supply connection to the appliance.

Should overheating occur, or the gas supply fail to shut off, shut off the manual gas valve to the appliance before shutting off the electrical supply. /

When the appliance is installed directly on carpeting, tile or other combustible material other than wood flooring the appliance shall be installed on a metal or wood panel extending the full width and depth of the base.

This appliance is equipped with a safety control system designed to protect against improper venting of combustion products.

This gas appliance must not be connected to a chimney flue serving a separate solid fuel burning appliance.

Periodic examination of the venting systems is required.

WARNING: If the appliance is installed in the basement, please see local codes before using propane.

USE ONLY THE GLASS DOOR CERTIFIED WITH THIS APPLIANCE

ELECTRICAL GROUNDING INSTRUCTIONS

WARNING - The appliance, when installed must be electrically grounded in accordance with local codes or in the absence of local codes with the National Electrical Code ANSI/NFPA 70-1987. Or the current Canadian Electrical Code - CSA.C22.1

This appliance is equipped with a three prong (grounding) plug for your protection against shock hazard and should be plugged directly into a properly grounded three prong receptacle. **DO NOT** cut or remove the ground prong from this plug.

PREPARATION & ASSEMBLY

WARNING

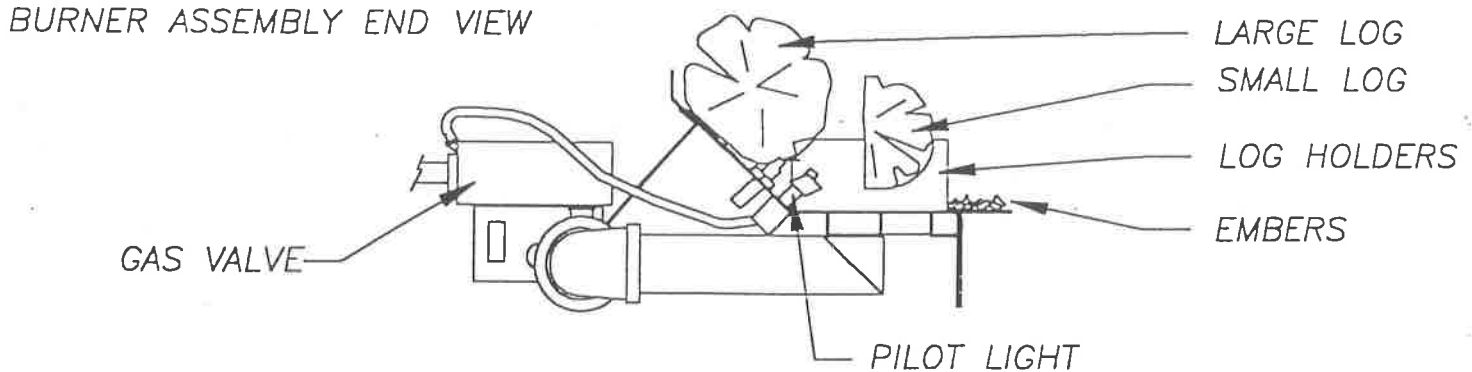
IMPROPER ASSEMBLY AND/OR INSTALLATION OF YOUR BLAZE KING GAS APPLIANCE OR FAILURE TO OPERATE IT ACCORDING TO THE GUIDELINES DETAILED IN THESE INSTRUCTIONS WILL VOID THE APPLIANCE WARRANTY, CAN CAUSE A HOUSE FIRE, AND MAY ENDANGER YOUR FAMILY. FOR YOUR SAFETY, FOLLOW THE ASSEMBLY AND INSTALLATION INSTRUCTIONS CAREFULLY. CONTACT LOCAL BUILDING OR FIRE OFFICIALS ABOUT RESTRICTIONS AND INSTALLATION INSPECTION IN YOUR AREA. PLEASE READ THIS ENTIRE MANUAL BEFORE YOU INSTALL AND USE YOUR NEW APPLIANCE.

-
-
- * Due to high temperatures the appliance should be located out of traffic and away from furniture and draperies.
 - * Children and adults should be alerted to the hazards of high surface temperature and should stay away to avoid burns or clothing ignition.
 - * Young children should be carefully supervised when they are in the same room as the appliance.
 - * Clothing or other flammable material should not be placed on or near the appliance.
 - * Any safety screen or guard removed for servicing a room heater must be replaced prior to operating the appliance.
 - * Installation and repair should be done by a qualified service person.
 - * The appliance should be inspected before use and at least annually by a qualified service person.
 - * More frequent cleaning may be required due to excessive lint from carpeting, bedding material, etc.
 - * It is imperative that control compartments, burners, and circulating air passageways of the appliance are kept clean.
 - * To clean the stove, make sure the appliance is off and cold, then remove the logs and embers and use a vacuum to clean burner and air openings in the bottom of the appliance and also on the back of the appliance. Replace the logs and embers.

APPLIANCE ASSEMBLY

1. Remove all items packed in the firebox.
2. **PRODUCT INSPECTION:** BLAZE KING Appliances are known for their quality materials and construction. Inspect all parts for damage due to shipping and to be sure that all needed parts are enclosed. If you discover a part is missing or damaged, contact your dealer immediately for replacement or repair.
3. **Position the Log Set (see page 12 & 13):**
WARNING: DANGEROUS OPERATING CONDITIONS MAY OCCUR IF THESE LOGS ARE NOT POSITIONED IN THEIR PROPER LOCATIONS. READ THE FOLLOWING INSTRUCTIONS CAREFULLY AND REFER TO THE DIAGRAM BELOW.
4. **Ember Placement** - Place embers directly over the first set of small holes in the front of the Firebox. Embers should be evenly spread across this first set of small holes.

DO NOT PLACE EMBERS OVER THE LARGER HOLES BEHIND THIS FIRST SET OF SMALL HOLES.



Place the large log on burner assembly so that the bottom of the log rest against the burner assembly and the front of the log rest against the relieved corners of log holders. Center the log on the burner assembly. Make sure the curved part of the log is up. Place the small log in the log holders with the flat side to the back and the small end to your left. Make sure they are centered on the two log holders. You will find a small package of "EMBERS" and they can be broken up to the size you wish. The embers should be approximately the size of marbles. Use only the material provided with this appliance. DO NOT add more material. Arrange them over the front burner in front of the small log to resemble a coal bed.

DRIFTWOOD LOGS

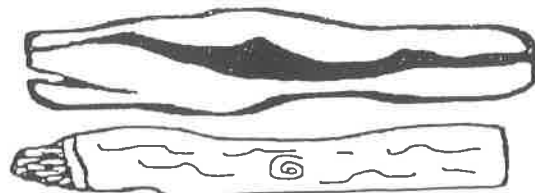


A



B

- A. BACK LOG: The large log (log A) should be placed in the back of the stove close to the far back wall. The flat side of log A should rest at an angle against the flat part of the back bracket with the rough textured side of the log facing you. The curved part of Lg A should be pointing upward. Also, the knot in the log, after placing the log in the bracket, should be on the far right side.
- B. FRONT LOG: This smaller log (log B) fits in the right and left side brackets closest to you. The flat portion of log B should be placed in these two backers, the rough textured side of the log with the knot in the middle should be pointing towards you. The rough end of log B should be pointing towards the left.



OAK LOGS



A



B

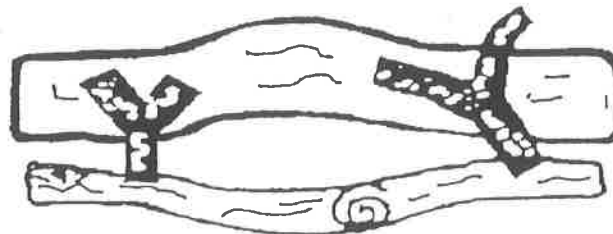


C



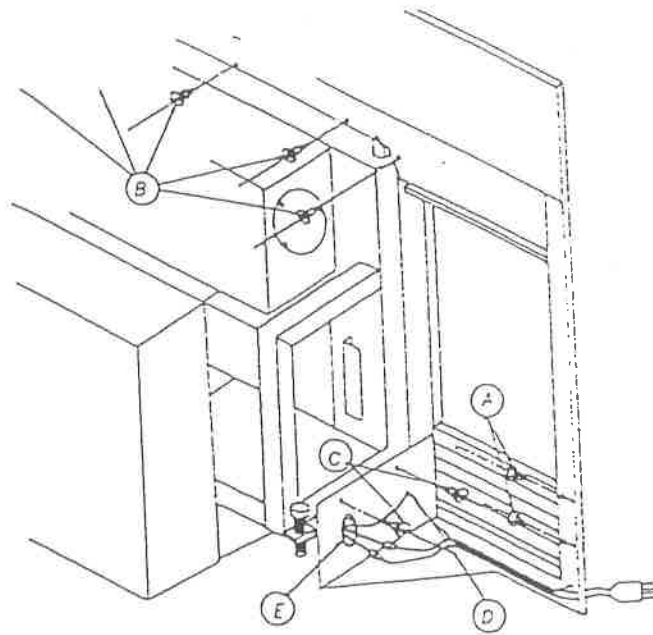
D

- A. BACK LOG: This larger log should be placed in the back of the stove close to the far back wall. The flat side of (Log A) should rest at an angle against the flat part of the back bracket with the rough textured side of the log pointing towards you. The curved part (of Log A) should be facing upwards.
- B. FRONT LOG: This smaller log fits in the right and left side brackets closest to you. The flat portion of log (B) should be placed in these two brackets. After setting this log in the brackets, the rough textured side of the log with the knot should be pointing outward toward you.
- C. LEFT SIDE LOG: (REGULAR SHAPED "Y"): This smaller "Y" shaped log (Log C) sits on the left side of the front and back logs (Logs A and B). (Log C) should be placed on the grooves so that the base of the "Y" is sitting on the grooves in the front log and the center of the (Y) rest against the peg on the back log.
- D. RIGHT SIDE LOG: (IRREGULAR SHAPED "Y"): On both sides of logs A and B, there are grooves (one on each side). The irregular shaped "Y" (log D) should be on the right side.



INSERT ASSEMBLY

1. Align lower grill with right shroud side and fasten with two screws "A". Repeat for left shroud side.
2. Slide shroud on from the rear of the insert. The right side of the shroud should slide over the controls first. Then bring the right side up tight against the insert. Fasten with five screws "B".
3. Align the bottom grill bracket and place two screws "C" in from each side.
4. The green ground screw must be put through the loop on the end of the green wire which is located in the power cord. Then thread into the hole marked "D".
5. Pull the two wires that are fastened in the back of the insert through the grommet marked "E". Fasten them to the black and white wire with matching ends in the power cord.



PLANNING FOR YOUR STOVE PLACEMENT

As you plan your installation consider the following:

The stove should be placed as central in the home as possible. Consider safety, convenience, traffic flow and the fact that the stove will need a venting system.

DUE TO HIGH TEMPERATURE THE ROOM HEATER SHOULD BE LOCATED OUT OF TRAFFIC AND AWAY FROM FURNITURE AND DRAPERIES. MINIMUM CLEARANCES SHOWN ON PAGE 17 ARE TO PREVENT WALLS AND CEILINGS FROM CATCHING ON FIRE.

For the type of vent system to be used, see page 18 for 9201 Freestanding and page 19 for 9101 Insert. Electrical Power is 115-60HZ. The stove is equipped with a fan assembly with a six-foot electrical cord. Do not route the cord in front of the stove. Position the stove in its final location. A floor protector may be used for aesthetics. However, when the stove is installed directly on the carpeting, vinyl or other combustible material other than wood flooring the stove *MUST* be installed on a metal or wood panel extending the full width and depth of the base.

WARNING

ONLY PERSONS LICENSED TO WORK WITH GAS PIPING MAY MAKE THE NECESSARY GAS CONNECTION TO THIS APPLIANCE. YOU ARE READY TO HOOK UP THE GAS SUPPLY. BE SURE GAS PLUMBING INSTRUCTIONS AND ALL STATE AND LOCAL CODES ARE CAREFULLY FOLLOWED. USE APPROVED FLEXIBLE GAS CONNECTIONS OR RIDGED PIPING DEPENDING ON STATE AND LOCAL CODES TO ATTACH BURNER TO GAS SUPPLY. BE SURE TO USE PROPER SIZE GAS SUPPLY LINE. CAREFULLY CHECK ALL CONNECTION FOR GAS LEAKS WITH SOAP AND WATER SOLUTION.

EACH INSTALLATION MUST CONFORM TO ALL LOCAL STATE AND NATIONAL CODES. REFER TO THE NATIONAL FUEL GAS CODE AND LOCAL ZONING AND CODE AUTHORITIES FOR DETAILS ON INSTALLATION REQUIREMENTS. THE BLAZE KING APPLIANCES MUST BE VENTED TO THE OUTSIDE IN ACCORDANCE WITH THE LATEST EDITION OF THE NATIONAL FUEL GAS CODE. IN THE ABSENCE OF LOCAL CODES, THE INSTALLATION MUST CONFORM WITH NATIONAL FUEL GAS CODE ANSI Z223.1 ALSO KNOWN AS NFPA 54.

GAS CONNECTION

The gas line may be installed at this time. Make sure to follow all state and local codes. It is recommended by Blaze King that gas connection be made by a Licensed and qualified installer. The appliance can be connected to the supply line with either rigid or approved flexible gas connection. Check with state and local codes.

Attach a 1/2" close nipple to the control valve at this point there must be a 1/2 inch N.P.T. plugged tee accessible for a test gage. Then the connection pipe connected to a 1/2" shut off valve, which should be mounted to the supply line.

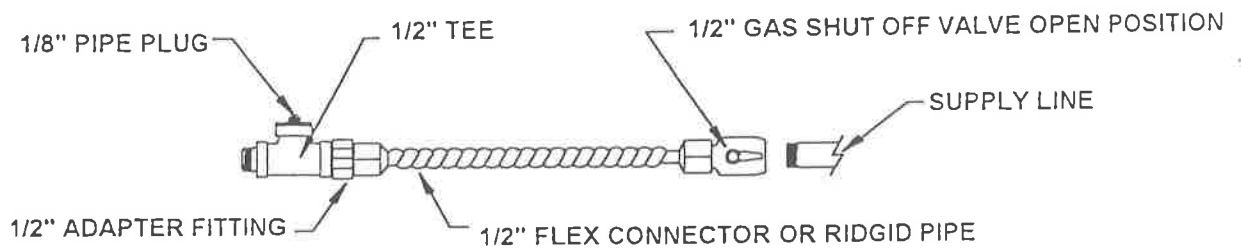
PIPING DETAIL:

NOTE; DO NOT DAMAGE OR KINK THE FLEX CONNECTOR. CHECK FOR GAS LEAKS WITH SOAP AND WATER SOLUTION.

1/2" FLEX OR RIGID PIPING MAY BE USED TO CONNECT GAS SUPPLY TO UNIT DEPENDING ON STATE AND LOCAL CODES.

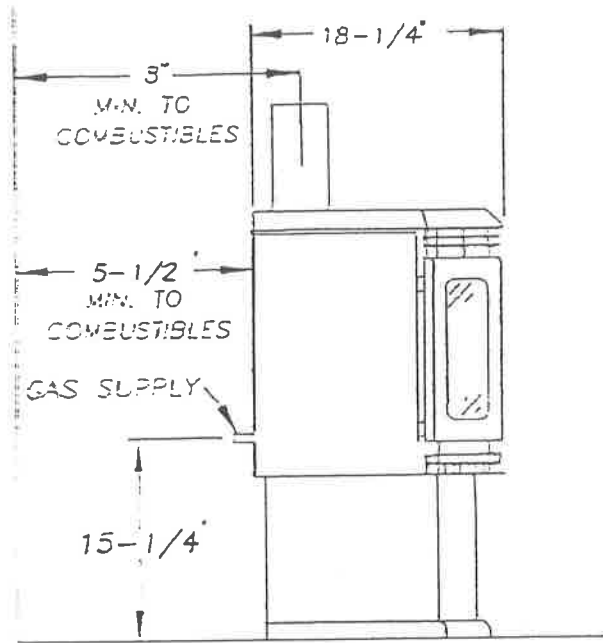
GAS SUPPLY PRESSURE:

Natural Gas 7 in. w.c. recommended 5.5/1.37 min./10.5/2.62 max.
LP Gas..... 11 in. w.c. recommended 11.0/2.74 min./13/3.2 max.

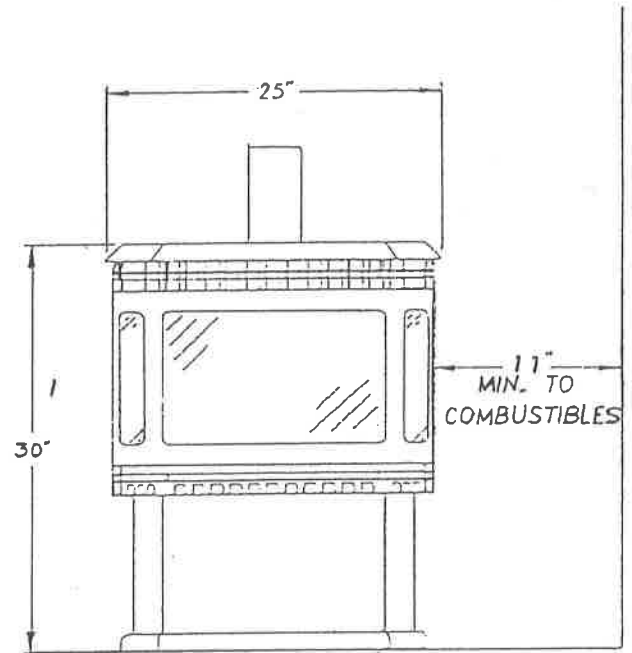


CLEARANCES FROM COMBUSTIBLE CONSTRUCTION APPLIANCE

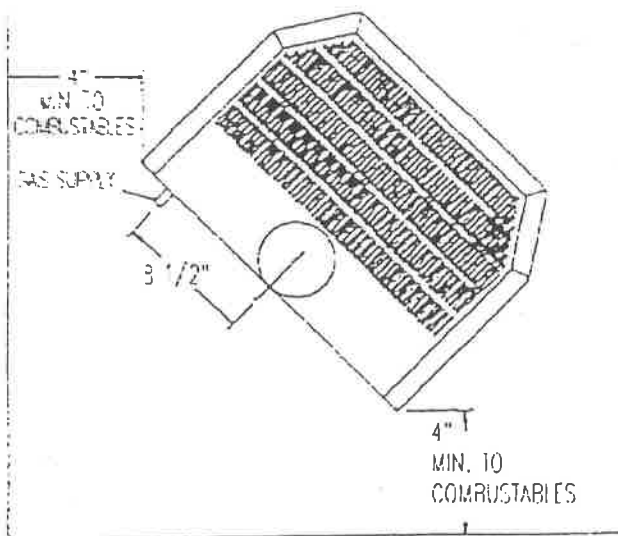
PEGASUS FREESTANDING 9201



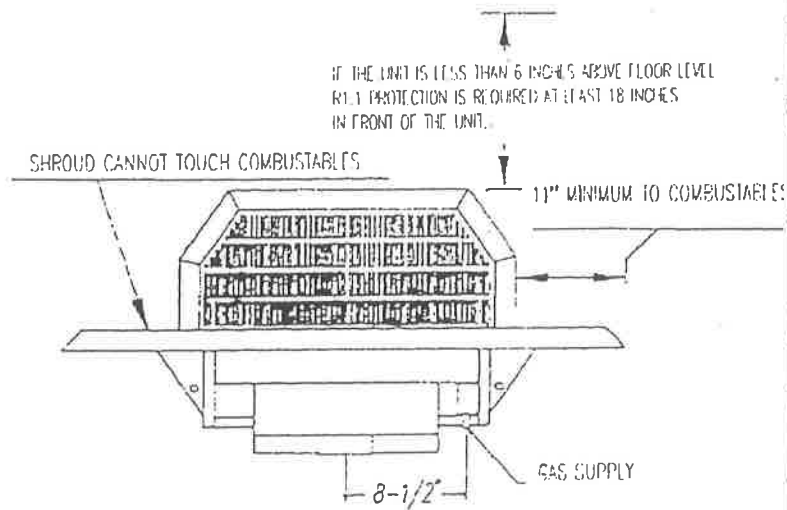
PEGASUS FREESTANDING 9201



PEGASUS FREESTANDING 9201



PEGASUS INSERT 9101



FLUE VENTING

Freestanding

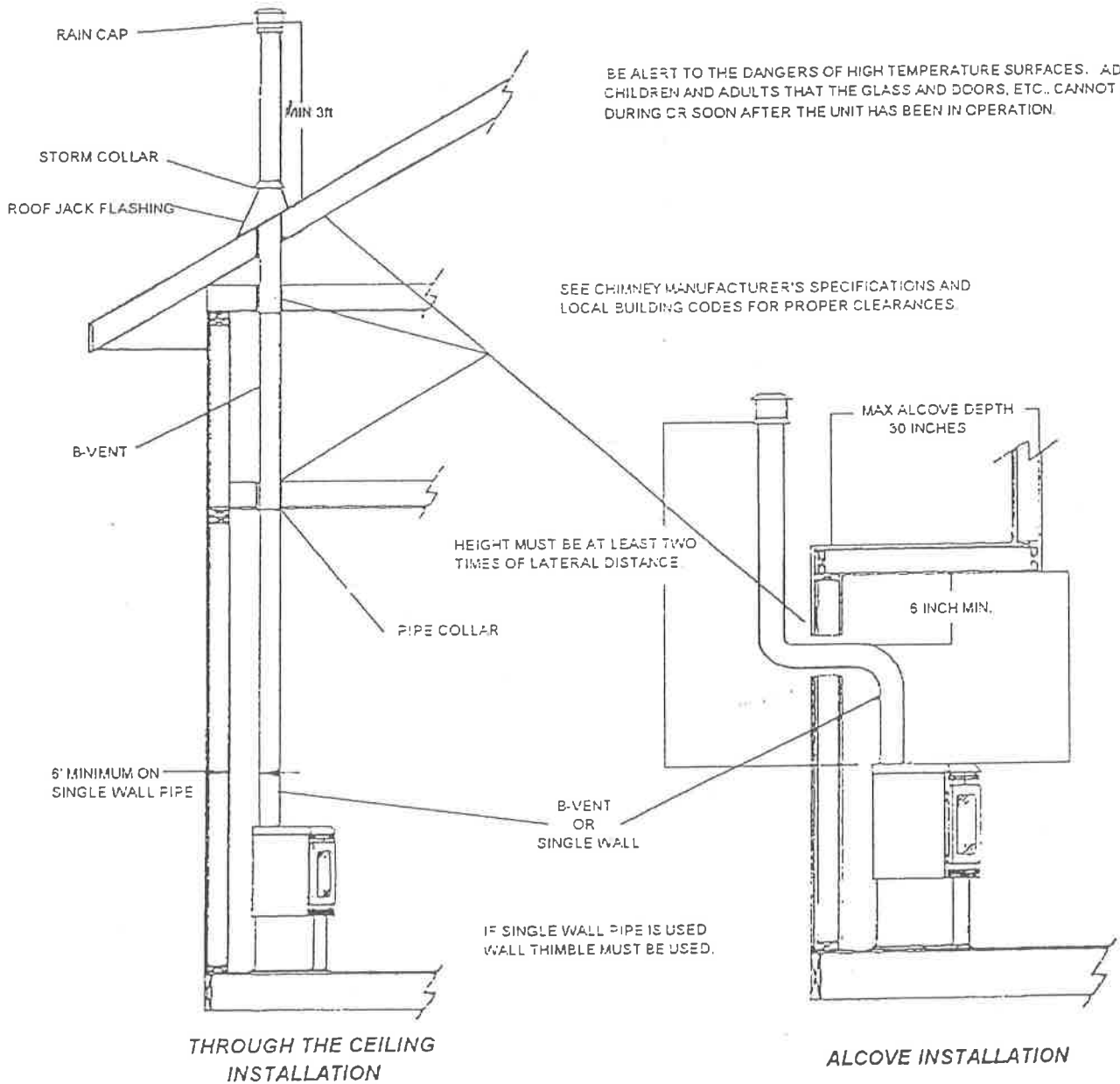
WARNING: Always refer to local and state safety codes and vent manufacturing specifications for safe and efficient installation.

CAUTION: EACH OF THE VENT MANUFACTURERS HAVE THEIR OWN METHOD OF CONNECTION. DO NOT MIX B-VENTS FROM VARIOUS MANUFACTURERS. B-VENTS MUST BE USED WHEN PASSING THROUGH A WALL, CEILING OR ROOF.

TO PREVENT INJURY, PERSONS NOT FAMILIAR WITH THE UNIT SHOULD NOT BE ALLOWED TO OPERATE IT.

BE ALERT TO THE DANGERS OF HIGH TEMPERATURE SURFACES. ADVISE ALL CHILDREN AND ADULTS THAT THE GLASS AND DOORS, ETC., CANNOT BE TOUCHED DURING OR SOON AFTER THE UNIT HAS BEEN IN OPERATION.

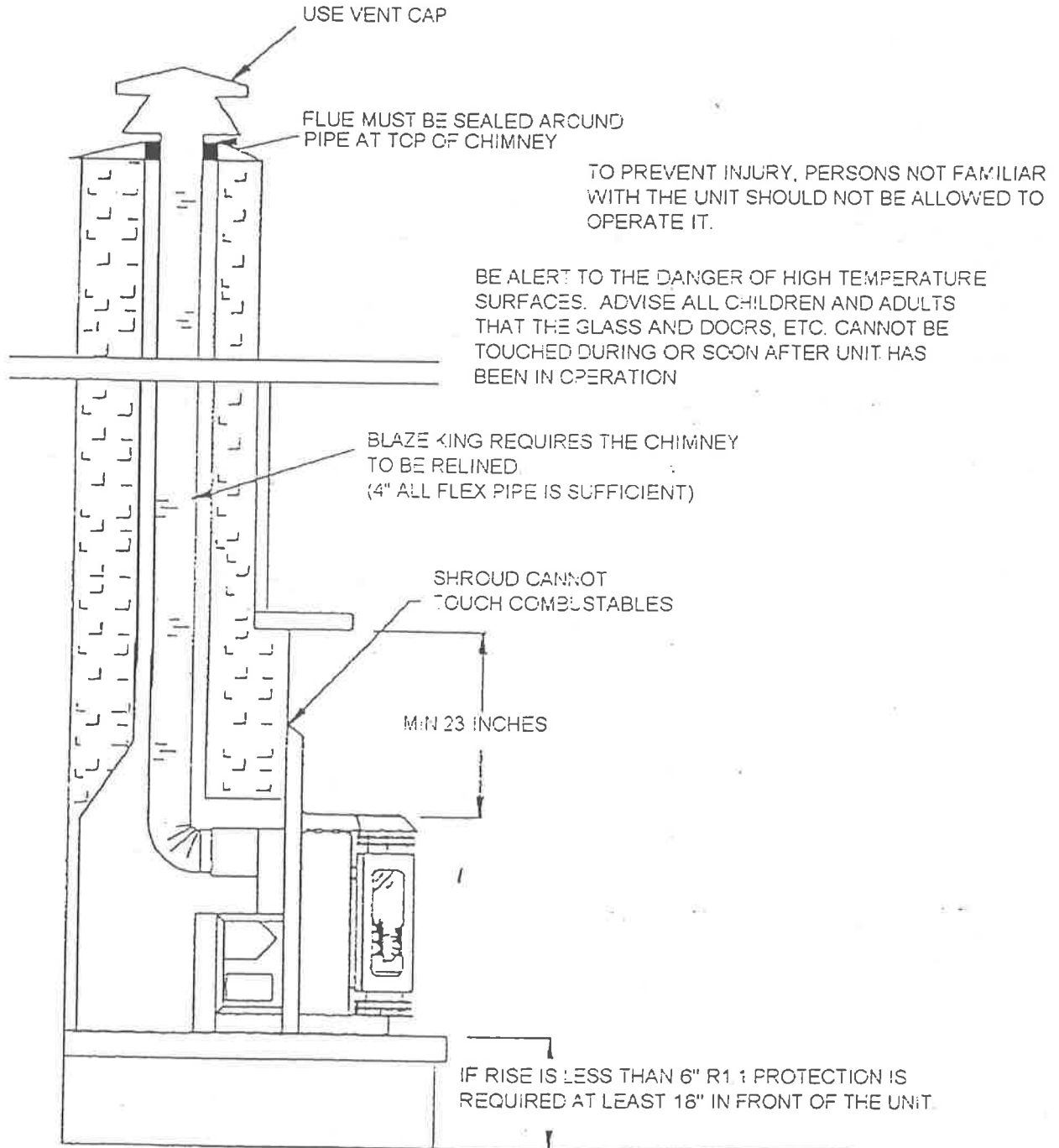
SEE CHIMNEY MANUFACTURER'S SPECIFICATIONS AND LOCAL BUILDING CODES FOR PROPER CLEARANCES.



FLUE VENTING

Insert

WARNING: Always refer to local and state safety codes and vent manufacturing specifications for safe and efficient installation.



THE BLAZE KING INSERT CAN ONLY BE INSTALLED IN A MASONRY FIREPLACE OR A LISTED WOOD BURNING FACTORY-BUILT FIREPLACE MODEL.

BURNER CONVERSION INSTRUCTIONS

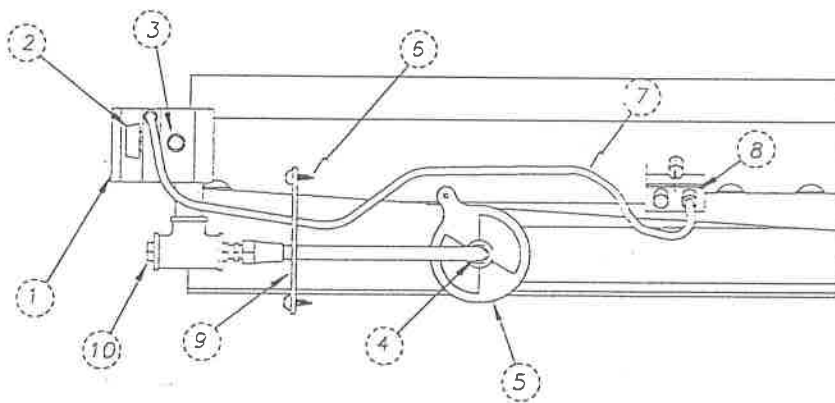
to LP or Natural Gas

BLAZE KING RECOMMENDS THIS PROCEDURE BE DONE BY A QUALIFIED SERVICE PERSONNEL

1. Remove the 2 screws holding the regulator plate. Remove regulator and gasket. Position new gasket over pins and install new regulator with notched corner up.
2. Open the front access door.
3. Remove embers and logs.
4. Remove retaining screw in lower center of door.
5. Remove the 2 retaining screws in pilot millivolt assembly.
6. Left front of burn tray and remove through door.
7. Change the main burner orifice by unthreading existing orifice from fitting with 1/2" wrench. Replace with an appropriate orifice. Remove pilot line by unscrewing 1/2" brass fitting. Remove next 7/16th fitting. Remove the pilot orifice. Replace with an appropriate pilot orifice.
8. Reverse steps 1 - 6 to complete conversion.

WARNING: EACH CONNECTION MUST BE INSTRUMENT OR SOAP CHECKED FOR LEAKS WITH GAS PRESSURE ON.

BURNER ASSEMBLY (REAR VIEW)



1. VALVE & REGULATOR
2. NAT. OR LP. REGULATOR PLATE
3. GAS INLET NIPPLE
4. MAIN GAS ORIFICE
5. PRIMARY AIR SHUTTER
6. VALVE MOUNTING SCREWS
7. PILOT LINE
8. PILOT ORIFICE
9. MOUNTING PLATE
10. MANIFOLD TESTING ACCESS

HIGH ALTITUDE STATEMENT

This unit has been tested for installations at a high altitude (1370 meter or higher) in accordance with Canadian test standard CAN/CGA-2.17. Higher altitudes effect their atmospheric pressure & heat value of gaseous fuels. When installing this unit at high altitudes, the rated input will be lower than at sea level. The lowered oxygen content in the air and lowered gas density requires installing a different orifice in order to achieve clean combustion of the unit. Consult the unit data plate for proper high altitude orifice size and fill out the information sticker attached to the unit when field converting.

For high altitude installations, consult the local gas distributor or the authority having jurisdiction for proper rating methods.

ORIFICE SIZING TABLE

Equivalent Orifice Sizes at High Altitudes
(Includes 4% input reduction for each 1,000 feet)

Natural Gas Orifice Size Required at Other Elevations

Orifice Size at:

Sea Level	2000	3000	4000	5000	6000	7000	8000	9000	10000
31	32	32	33	33	34	35	35	36	36

Propane Orifice Size Required at Other Elevations

Orifice Size at:

Sea Level	2000	3000	4000	5000	6000	7000	8000	9000	10000
49	50	50	51	51	51	52	52	52	53

This chart is based on gas with 1000 BTU Per Cubic Feet.
Check with local gas company on BTU content and correct orifice accordingly

LIGHTING PREPARATION

FOR YOUR SAFETY - READ BEFORE LIGHTING

WARNING

If you do not follow these instructions exactly, a fire or explosion may result causing property damage or personal injury.

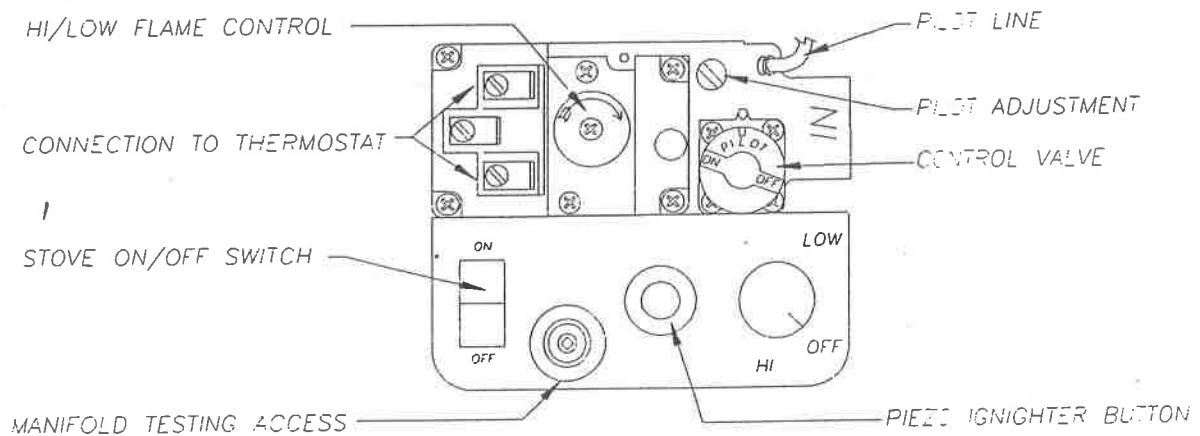
- A. This appliance has a pilot that is lit with a push button Piezo lighter. When lighting the pilot, follow these instructions exactly.
- B. BEFORE LIGHTING smell all around the appliance area for gas. Be sure to smell next to the floor because some gas is heavier than air and will settle on the floor.

WHAT TO DO IF YOU SMELL GAS:

- * OPEN WINDOWS
 - * DO NOT TOUCH ANY ELECTRIC SWITCH; DO NOT USE ANY PHONE IN YOUR BUILDING.
 - * EXTINGUISH ANY OPEN FLAME.
 - * IMMEDIATELY CALL YOUR GAS SUPPLIER FROM AN NEIGHBOR'S PHONE. FOLLOW THE GAS SUPPLIER'S INSTRUCTIONS.
 - * IF YOU CANNOT REACH YOUR GAS SUPPLIER, CALL THE FIRE DEPARTMENT.
- C. Use only your hand push in or turn the gas control knob. Never use tools. If the knob will not push in turn by hand, don't try to repair it, call a qualified service technician. Force or attempted repair may result in a fire or explosion.
- D. Do not use this appliance if any part has been under water. Immediately call a qualified service technician to inspect the appliance and to replace any part of the control system and any gas control which has been under water.

LIGHTING INSTRUCTION

1. **STOP!** Read the safety information above on the previous page.
2. Set the optional wall thermostat to lowest setting, or turn appliance switch to off.
3. Controls are accessed by opening right side door panel.
4. Turn the rocker switch to "OFF".
5. Push in the gas control knob slightly and turn clockwise to "OFF".



NOTE: The knob cannot be turned from "PILOT" to "OFF" unless the knob is pushed in slightly. **DO NOT FORCE.**

6. Wait five (5) minutes to clear out any gas. If you then smell gas **STOP!** follow "B" in the safety information on the previous page. If you don't smell gas, go to the next step.
7. Turn Control Knob counter clockwise to "Pilot" position.
8. Depress control knob and push in the Piezo ignite button. Once pilot ignites, continue to hold the control knob in for about one (1) minute after the pilot is lit. Release the knob and it will pop back up. Pilot should remain lit. If it goes out, repeat step (8).
 - * If the knob does not pop up when released, stop and immediately call your service technician or gas supplier.
 - * If the pilot will not stay lit after several tries, turn the gas control knob to "OFF" and call your service technician or gas supplier.
9. Turn the gas control knob counter clockwise to "ON". Turn on all electric power to the appliance. Set the thermostat to desired setting.

TO TURN OFF GAS APPLIANCE:

1. Set the thermostat to lowest setting.
2. Turn off all electric power to the appliance if a service is to be performed.
3. Push in gas the control knob slightly and turn clockwise to "OFF". **DO NOT FORCE.**

NOTE: Fan operation is controlled by the temperature of the stove. It will turn on after the stove reaches approximately 130 degrees F and will run after the stove is turned off until it cools down.

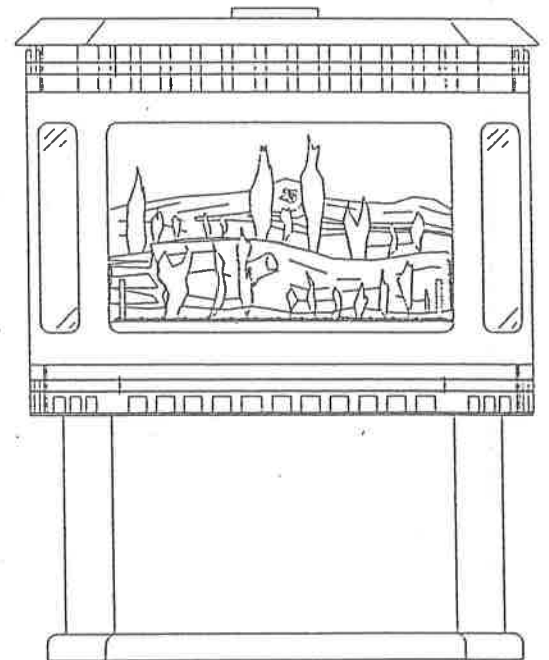
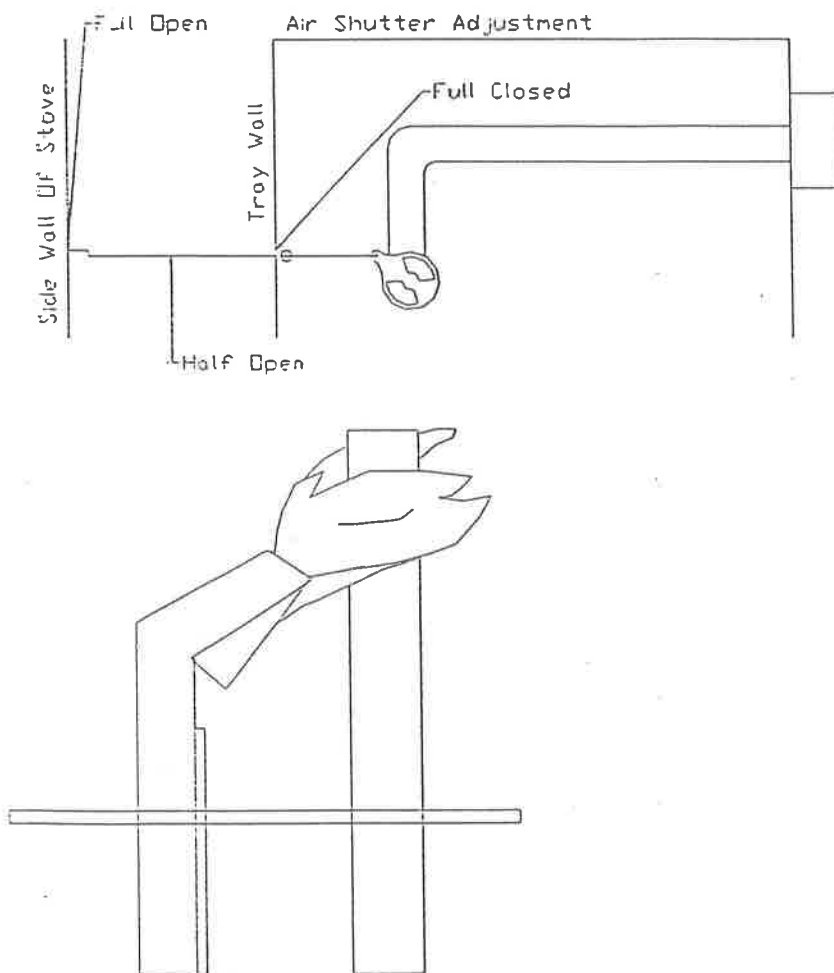
GAS FLAME ADJUSTMENT

To adjust the flame so it has the proper shape and color without making soot on the glass or logs.

The primary air shutter should be set approximately 1/2 open for Natural Gas and approximately Full open for LP Gas.

Adjust the open shutter until the flame turns blue, then close the shutter until a soft red flames is obtained. The shutter is spring loaded so it will stay in that position.

If this makes soot on either the logs or glass, the setting must be opened gradually until the glass and logs stay clean.



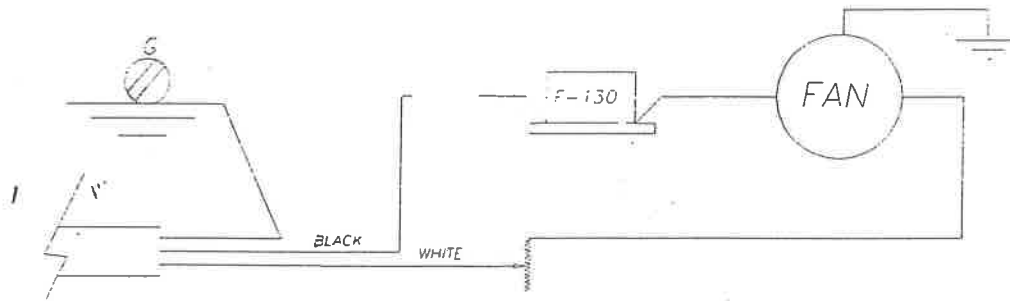
The pilot flame must envelope approximately 1/2 of the Millivolt Generator. It must burn clean. All parts must be lit. If there are any problems, contact your serviceman.

Periodically checking the flame pattern is necessary. The flame should look approximately like the picture. The base of the flame must not rise above the burner plate.

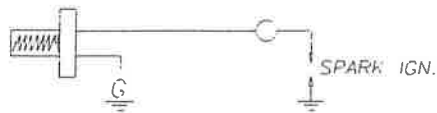
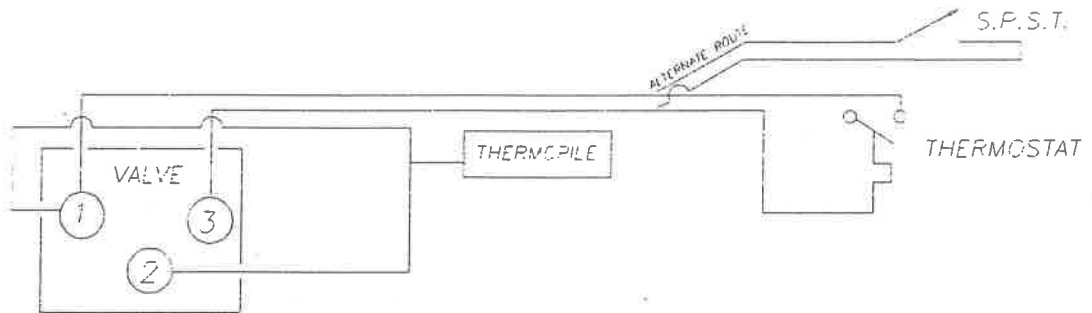
WIRING DIAGRAM

A C

If wire from motor is present, ground.



MILLIVOLT

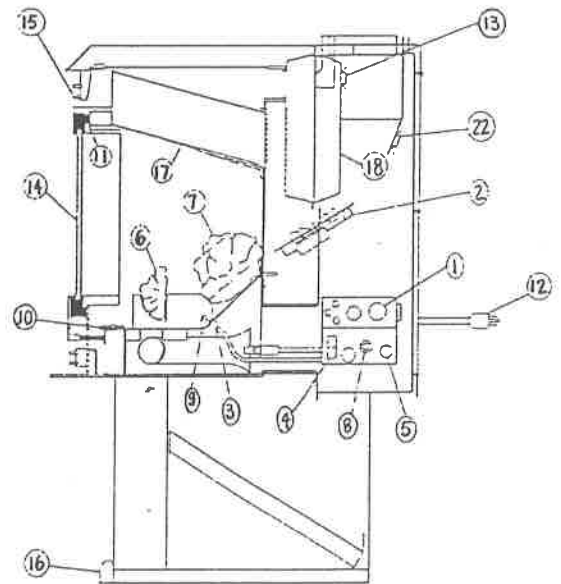
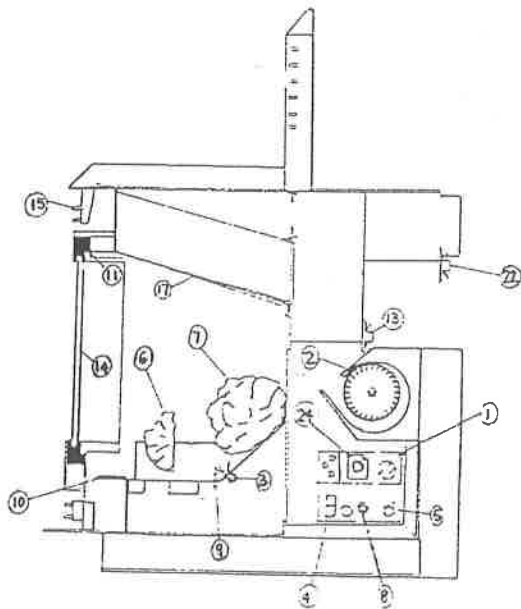


REPLACEMENT PARTS LIST

<u>PART NAME:</u>	<u>PART #:</u>	<u>PART NAME:</u>	<u>PART #:</u>
1. Gas Valve	0718	10. Fiber Embers	0745
2. Fan-Insert	Z7013	11. 80" Door Rope	0185
Freestanding	Z1714C	12. Power Cord - Freestanding Only	Z7015
3. PG9 Pilot	0721	13. F130 Snap Disc	1144AA
4. On/Off Switch	0725	14. Door Assembly	Z7030
5. Rheostat	Z7078	15. Front Decor	Z7052
6. Front Log	0819	16. Wood Base - Freestanding Only	0788
7. Back Log	0818	17. Lower Heat Exchanger	9062
8. Push Button Igniter	0737	18. Rear Heat Exchanger - Freestanding Only	9461
9. Electrode	0738	22.. L250 Snap Dixc	1146AA

NOT PICTURED:

<u>PART NAME:</u>	<u>PART #:</u>	<u>PART NAME:</u>	<u>PART #:</u>
19. Gas Orifice	0722B	23. Wall Thermostat	0736
20. 7/16 I.D. X 1/2 Spring	0723	24. Pressure Reg. Natural Gas Hi/Lo	0747
21. Door Latch	0733	25. Trim Mounting Bracket	9031



Call your local BLAZE KING dealer.

CAUTIONS

1. Do not use substitute materials.
2. Do not abuse the glass door, such as striking or slamming shut.
3. Do not operate the stove with a broken glass door.
4. Do not use abrasive cleaners to clean the glass.