

Blaze  King

Gas Products

- Freestanding
- Fireplaces

www.blazeking.com



CLARITY 2118 Fireplace

Design

The Clarity 2118 is designed to fit into a modern home where space is a premium. It can be installed like a traditional fireplace or raised slightly higher in a wall. Our unique "Reflections Burner System" features black floor glass, mirrored side glass, "Sand Dunes" rear liner and a crescent shaped burner. Options include a choice of river washed logs or custom stainless steel firebox artwork to help make this fireplace uniquely yours.

Function

The CL2118 is powerful with 27,300 BTU's of heat and able to turn down by 50%. It is available in standing pilot or fully programmable IPI configuration with the ability to turn the flame and heat down by up to 50%. The fireplace features a large viewing area of 21" x 18" and a unique crescent shaped burner. An optional fan system is available to help move the warmth around your home.

Specifications

BTU Maximum Input	27,300
Square Feet Heated	600 - 1200
Glass Size	21"W x 18"H
Valve Configuration	Standing Pilot or IPI
P.4 Energuide Efficiency	60.72% (SP) 63.43% (IPI)*
Steady State Efficiency	71.01%
Heat Turn Down	50%

*P.4 Enerchoice rated

Features

Reflections Burner System
"Sand Dunes" rear liner

Options

"City Scope" Firebox Artwork
"In the Woods" Firebox Artwork
Custom Firebox Artwork
"River Washed" log set
Fan System (70 CFM)
3 sided Shroud
4 sided Shroud



CLARITY 26 Free-standing Stove

Design

The Clarity 26 has a modern approach to design with luxurious surfaces and clean lines. Exterior finishes include stainless steel accents and two tone paint. Our unique "Reflections Burner System" features black floor glass, mirrored side glass, "Sand Dunes" rear liner and a crescent shaped burner. You can choose between a modern firebox look, a more traditional log set design or use custom firebox artwork to make your Clarity 26 uniquely yours. The lower panel at the base of the unit is removable if a more open appearance is desired.

Function

The Clarity 26 is powerful with 27,300 BTU's of heat and able to turn down by 50%. It is available in standing pilot or fully programmable IPI configuration with the ability to turn the flame and heat down by up to 50%. The stove features a large viewing area of 21" x 18" and a unique crescent shaped burner. An optional fan system is available to help move the warmth around your home.

Specifications

BTU Maximum Input	27,300
Square Feet Heated	600 - 1200
Glass Size	21"W x 18"H
Valve Configuration	Standing Pilot or IPI
P.4 Energuide Efficiency	63.69% (SP) 66.01% (IPI)*
Steady State Efficiency	71.55%
Heat Turn Down	50%

*P.4 Enerchoice rated

Features

2 Tone Paint with Stainless Steel Accents
Reflections burner system
"Sand Dunes" rear liner
Removable lower panel

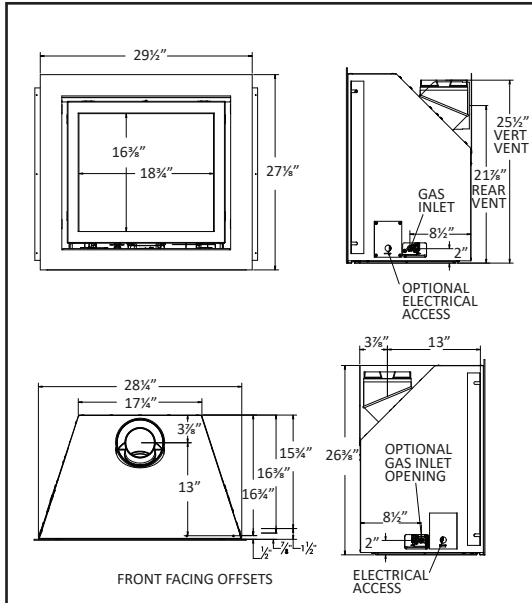
Options

"City Scape" Firebox Artwork
"In the Woods" Firebox Artwork
Custom Firebox Artwork
"River Washed" log set
Fan System (120 CFM)

Dimensions

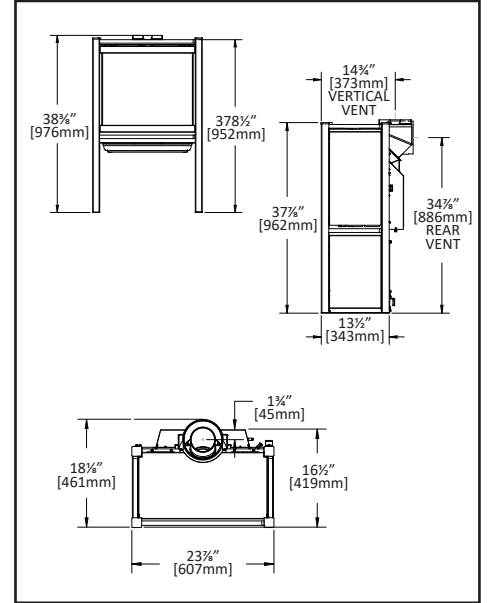
CL2118

Clarity Fireplace



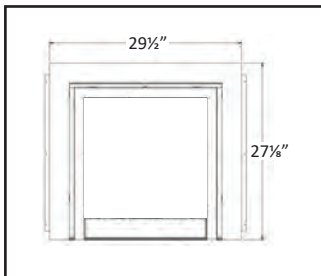
CL26

Clarity Freestanding Stove

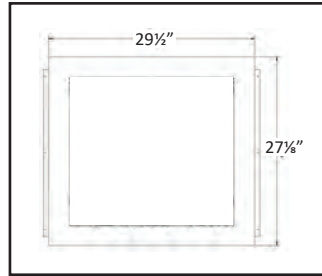


CL2118

Shroud Options



3 sided hearth mount

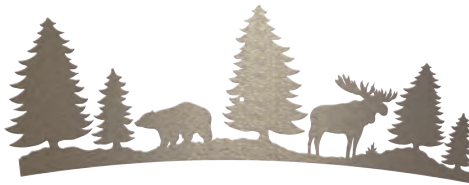


4 sided raised mount

Features and Options



"City Scape" Firebox Artwork



"In the Woods" Firebox Artwork



Custom Firebox Artwork
Designed by you!



"River Washed" log set



"Sand Dunes"

