

# Blaze King™

## Blaze King Freestanding Gas Stove Model 9000

### Owner's Installation and Operations Manual

.....SAVE THESE INSTRUCTIONS.....

.....  
**FOR YOUR SAFETY**  
.....

If you smell gas:

1. Do not try to light any appliance
2. Do not touch any electrical switch.
3. Immediately call your gas supplier.
4. If you cannot reach you gas supplier,  
call the Fire Department.

Do not store or use gasoline or other flammable vapors and liquids in the vicinity of this or an other appliance.

**WARNING**

**DO NOT BURN WOOD, PAPER OR OTHER MATERIALS IN THIS STOVE.**

**WARNING:** IMPROPER INSTALLATION, ADJUSTMENT, ALTERATION, SERVICE OR MAINTENANCE CAN CAUSE INJURY OR PROPERTY DAMAGE. REFER TO THIS MANUAL FOR ASSISTANCE OR ADDITIONAL INFORMATION. CONSULT A QUALIFIED INSTALLER, SERVICE AGENCY OR GAS SUPPLIER.

.....  
**B.K.I., Inc.**  
400 W. Whitman Drive  
College Place, Washington 99324  
(509) 522-2730

Dear Customer:

Thank you for purchasing the Blaze King Freestanding Gas Stove. It is our goal to have every purchaser of Blaze King Products a satisfied customer. This owner's manual explains the steps required to safely assemble, install, operate, and maintain your new stove.

Be a responsible stove owner. Carefully read these requirements for safe installation and proper operation BEFORE installing and using your stove. Obtain permits from the Building Inspector or Fire Department if local laws require. Check local building and Fire Codes before installing your stove. When you have completed the installation have it checked by your local inspector. Disregarding inspection and code requirements may jeopardize your homeowner's insurance. Since some insurance carriers require notification of a stove installation contact your insurance agent. We want your Blaze King to give you a lifetime of trouble-free operation.

While we have made every effort to make these instructions as complete as possible some installation or operating conditions may not be covered. If you have any questions that are not answered here contact your BLAZE KING dealer, Local Building Inspector, Fire Department or our customer service department at Blaze King, College Place, WA (509) 522-2730.

The Management and Employees of

BLAZE KING

**KEEP THIS MANUAL FOR FUTURE REFERENCE**

# TABLE OF CONTENTS

SPECIFICATIONS MODEL 9000 .....	4
SAFETY NOTICE .....	5
WARRANTY .....	6
COPY OF LABEL .....	7
CAUTIONS .....	8
ELECTRICAL GROUNDING INSTRUCTIONS .....	9
PREPARATION & ASSEMBLY .....	10
STOVE ASSEMBLY .....	11
PLANNING FOR YOUR STOVE PLACEMENT .....	12
GAS CONNECTIONS .....	13
CLEARANCE DIAGRAMS .....	14
FLUE VENTING .....	15
BURNER CONVERSION INSTRUCTIONS .....	16
ORIFICE SIZING CHART .....	17
LIGHTING PREPARATION .....	18
LIGHTING INSTRUCTIONS .....	19
GAS FLAME ADJUSTMENT .....	20
WIRE DIAGRAMS .....	21
REPLACEMENT PARTS LIST .....	22

# SPECIFICATIONS

## Model 9000

HIGH BURN STEADY STATE EFFICIENCY:	76.62	
	<b>Natural Gas</b>	<b>LP Gas</b>
Input Rating (Btu/hr) 0-610 m 0-2,000 Ft. Alt. Orifice (DMS) 0-610 m	40,000 #31	40,000 #49
Input Rating (Btu/hr) 610-1370 m 2,000-4,500 Ft. Alt. Orifice (DMS) 0-610 m	38,000 #32	38,000 #50
Unit Factory Equipped for 0-610 m 0-2,000 Ft. Alt.		
Minimum Input (Btu/hr)	26,800	21,800
Maximum Output (Btu/hr)	30,600	29,800
Maximum Output, Lo Setting (Btu/hr)	19,500	15,500
Manifold pressure (in w.c./kPa)	3.5/.87	10.0/2.49
Manifold pressure Lo-setting (in w.c./kPa)	1.5/.37	4.5/1.12
Minimum Inlet Pressure (in w.c./kPa)	5.5/1.37	11.0/2.74
Maximum Inlet Pressure (in w.c./kPa)	10.5/2.62	13/3.20

Width .....	.25"
Height .....	.30"
Depth .....	17 5/8"
Weight .....	150 Lbs.

Listing, *WARNOCK HERSEY* Tested to: AGA/ANSI Standard Z21.11.1-1991 Vented Room Heater. CAN 1-2.1M89 Gas-Fired Vented Room Heaters and CAN/CGA-2.17-M91 Gas Fired Appliances for use at High Altitudes.

Gas appliances must be tested and certified by a nationally recognized testing and certification agency to ANSI Gas appliance safety standard.

The Blaze King Freestanding Gas Stove has been tested and certified by *WARNOCK HERSEY, INC.* , Middleton, WI 53562 for USA to ANSI Standard Z21.11.1-1-1991, for Canada CAN 1-2.1-M89 Gas-Fired Vented Room Heaters and CAN/CGA-2.17-M91 Gas-Fired Appliances for use at High Altitudes.

## **SAFETY NOTICE**

.....  
IF THIS STOVE IS NOT PROPERLY INSTALLED A HOUSE FIRE MAY RESULT. FOR YOUR SAFETY FOLLOW THE INSTALLATION DIRECTIONS. CONTACT LOCAL BUILDING OR FIRE OFFICIALS ABOUT RESTRICTIONS AND INSTALLATION REQUIREMENTS IN YOUR AREA. PLEASE READ THIS ENTIRE MANUAL BEFORE YOU INSTALL AND USE YOUR NEW STOVE. FAILURE TO FOLLOW INSTRUCTIONS MAY RESULT IN PROPERTY DAMAGE BODILY INJURY OR DEATH.  
.....

### **CAUTIONS:**

*NEVER* vent the stove to other rooms or building. Stove must be vented **ONLY** to the outside.

*NEVER* use chimney or chimney connector smaller than the four (4") inches required. *NEVER* burn the stove with the viewing door open.

### **FIRE EXTINGUISHERS:**

Every home should have at least one fire extinguisher. An approved "Class A-B-C" extinguisher should be mounted on the wall near an exit and close to the stove -- but not so close that accessibility to the extinguisher could be blocked by a fire. Your local fire department can advise you concerning the most appropriate location.

### **BUILDING AND FIRE CODES, PERMITS AND INSPECTIONS:**

The installation of this gas stove must comply with your local building and fire codes. Always contact your local Building Inspector and/or Fire Department before beginning the installation process. If required obtain a permit before installation and have the completed installation inspected. Remember that noncompliance with building and/or fire codes may jeopardize your homeowner's insurance.

### **CHILDREN:**

Do Not Allow Children to play near the stove or with the controls. Severe burns may be inflicted by touching the door or door glass the front sides or top of the stove. Train children to stay away from the stove and never leave children unattended in the room when the stove is in operation.

### **SMOKE DETECTORS:**

Install at least one smoke detector on each floor of your home to ensure your safety. It should be located away from the gas stove and close to the sleeping areas. Following the smoke detector manufacturers placement installation and maintenance instructions. Your local Fire Department may provide assistance in selecting smoke detectors or contact the Consumer Product Safety Commission  
Washington D.C. 20207

***THE APPLIANCE AREA MUST BE KEPT CLEAR FROM COMBUSTIBLE MATERIALS GASOLINE AND OTHER FLAMMABLE VAPORS AND LIQUIDS.***

# **BLAZE KING LIMITED WARRANTY**

## **WHAT THE WARRANTY COVERS:**

This warranty contains different terms which cover different parts of the stove or fireplace insert. If you have purchased a catalytic combustor-equipped stove or fireplace insert, the catalytic combustor is covered by a separate warranty (also included with the appliance) with different terms.

Blaze King warrants the STEEL COMPONENTS of the Blaze King stove or fireplace insert, which is delivered with this warranty, against defects in material or workmanship to you, the original retail purchaser (hereafter referred to as "purchaser"), for a period of up to five years following the date of original retail purchase, subject to the provision of "OUR RESPONSIBILITIES" below. Blaze King warrants BLOWER MOTORS, DOOR GASKET, WOOD HANDLES, BLOWER MOTOR SPEED CONTROL, FIREBRICK LINING and the BI-METAL THERMOSTAT COIL of the Blaze King stove or fireplace insert, which is delivered with this warranty, against defects in material or workmanship, to the original purchaser, for a period of one year following the date of retail purchase, subject to the provisions of "OUR RESPONSIBILITIES" below. No person is authorized to modify this warranty nor to make any additional warranties on behalf of the manufacturer, Blaze King Industries.

## **WHAT THE WARRANTY DOES NOT COVER:**

Unless otherwise provided by law or covered by this warranty, Blaze King is not responsible for removal, transportation or reinstallation of any product repaired or replaced pursuant to this warranty. Blaze King shall in no event be liable for special, incidental, consequential, indirect or other similar damages arising from any breach of this warranty, even if Blaze King has been advised of the possibility of such damages. Some states do not allow the exclusion or limitation of incidental or consequential damages, so the above limitation or exclusion may not apply to you. Blaze King limits all implied warranties, if any, including the warranties of merchant ability or fitness for a particular purpose, to one year (in Oregon, five years) from the date of original retail purchase. Some states do not allow limitations on how long an implied warranty lasts, so the above limitations may not apply to you. Actions for breach of this warranty must be brought within one year of the expiration of this warranty.

## **HOW YOU CAN GET SERVICE:**

If this product requires repair or replacement due to defects in material or workmanship covered by this warranty, contact your Blaze King dealer and explain the defect. If the dealer does not repair or replace the product to your satisfaction, contact the Service Department of Blaze King at the address listed below. Please explain the defect and state the model, serial number, date of purchase and the name and address of the Blaze King dealer. Blaze King may request that the defective part, parts, or entire stove be shipped to it at the purchaser's expense.

## **OUR RESPONSIBILITIES:**

If the purchaser has complied with all of the terms and conditions of this warranty and if the purchaser has notified Blaze King of a defect prior to the expiration of the respective warranty period, and after shipment to Blaze King, inspection confirms that a defect covered by this warranty does exist, Blaze King will either repair or replace the product, AT ITS ELECTION, or MAY ELECT to refund a portion of the purchase price, based on the formula below, if it cannot readily and quickly provide the purchaser with a replacement, if the purchaser is willing to accept such a refund. The repaired product or replacement will be returned to the

Blaze King dealer nearest the purchaser at Blaze King's expense. If it is determined by Blaze King that there is no defect, or that the defect resulted from causes not within the scope of this warranty, then the purchaser must bear the costs of storing the product and returning the product to the purchaser. For parts of this stove or fireplace insert warranted beyond the first year, Blaze King will have the same obligations as described in this paragraph, provided however, that the purchaser shall pay the following percentage of the then-current retail cost of the repair or the replacement, according to year after purchase in which the defect is brought to the attention of Blaze King:

- during the second year, purchaser pays 20%;
- during the third year, purchaser pays 40%;
- during the fourth year, purchaser pays 60%;
- during the fifth year, purchaser pays 80%.

For purchases made after June 30, 1990, a third year (25th-36th month) of no-charge replacements will be made when combustor failure is due to thermal degradation of the substrate (crumbling of the ceramic material). The balance of the cost will be Blaze King's expense.

### **MISUSE OF STOVE NULLIFIES WARRANTY:**

The above warranty is conditioned upon the proper installation and use of the stove or fireplace insert according to (a) the directions embodied in the "Owner's Installation and Operation Instructions" published by us and (b) the local building and fire codes in the area in which it is installed. The unit should be inspected by the local building inspector or fire department prior to beginning use. A copy of the "Owner's Installation and Operating Instructions" is provided with each unit, or can be obtained by writing to us at the address listed below. **READ THE "OWNER'S INSTALLATION AND OPERATION INSTRUCTIONS" BEFORE INSTALLING OR USING THE STOVE OR INSERT. SAVE THOSE INSTRUCTIONS FOR MAINTENANCE AND SAFETY PROCEDURES.**

Altercation to, damage to, lack of maintenance of, faulty repair or misuse of the stove, insert or combustor, voids this warranty. Abuse of the combustor in any mechanical way and the use of fuel other than natural, untreated wood (such as artificial logs, wood exposed to salt water, or coal that may burn at excessively high temperatures or may release fumes that can explode) will void this warranty. Burning the stove with the loading and/or bypass doors open (other than during the brief start-up period) will also void this warranty.

### **OTHER LEGAL RIGHTS OF THE PURCHASER:**

This warranty gives you specific rights, and you may also have other rights which vary from state to state.

0591D

# COPY OF STOVE LABEL

Listed Gas-Fired Vented Room Heater

BLAZE KING GAS STOVE - 9000

WH -

#0754

Certified for U.S. and Canada  
Homologué Pour Le Canada

This stove is factory equipped for:

Natural Gas

Propane Gas

Tested to ANSI Z21.11.1-1991, CAN 1-2.1-M89 Gas-Fired Vented Room Heater  
and CAN/CGA-2.17-M91 "Gas-Fired Appliances For Use at High Altitudes"

	NATURAL GAS	LP GAS
Input Rating (Btu/hr) 0-610 m 0-2000 Ft. Alt.	40,000	40,000
Orifice (DMS) 0-610 m	#31	#49
Input Rating (Btu/hr) 610-1370 m 2,000-4,500 Ft. Alt.	38,000	38,000
Orifice (DMS) 610-1370 m	#32	#50
Manifold Pressure (In w.c./kPa)	3.5/.87	10.0/2.49
Manifold Pressure Lo Setting (In w.c./kPa)	1.5/.37	4.5/1.12
Minimum Inlet Pressure (In w.c./kPa)	5.5/1.37	11.0/2.74
Maximum Output (Btu/hr)	30,600	29,800
Minimum Input (Btu/hr)	26,800	21,800
Maximum Output, Lo Setting (Btu/hr)	19,500	15,500
Unit Factory Equipped For 0-610 m 0-2000 Ft. Alt.		

This appliance must be installed in accordance with local codes if any; if not follow ANSI Z223.1 or CAN/CGA-B149. NOT FOR USE WITH SOLID FUEL.

### Minimum CLEARANCES FROM COMBUSTIBLE CONSTRUCTION

Unit to Sidewall	11 in. (280 mm)
Unit to Backwall	6 in. (150 mm) to Flue Collar
Unit to Adjacent Wall Corner	4 in. (100 mm)
Alcove Minimum Width 47 in. (1190 mm)	Minimum Height 54 in. (1370 mm)
Maximum Depth 30 in. (760 mm)	

Electrical Rating: 115 Volts, 1.5 Amperes, 60 Hz

**DANGER:** Risk of electrical shock. Disconnect power before servicing unit. Do not route power cord beneath heater.

Manufactured By:

**BLAZE KING INDUSTRIES**  
P.O. Box 367  
College Place, WA 99324

Manufacture Date:

- |                               |                               |                               |                                |
|-------------------------------|-------------------------------|-------------------------------|--------------------------------|
| <input type="checkbox"/> 1992 | <input type="checkbox"/> 1993 | <input type="checkbox"/> 1994 | <input type="checkbox"/> 1995  |
| <input type="checkbox"/> JAN  | <input type="checkbox"/> FEB  | <input type="checkbox"/> MAR  | <input type="checkbox"/> APRIL |
| <input type="checkbox"/> MAY  | <input type="checkbox"/> JUNE | <input type="checkbox"/> JULY | <input type="checkbox"/> AUG   |
| <input type="checkbox"/> SEPT | <input type="checkbox"/> OCT  | <input type="checkbox"/> NOV  | <input type="checkbox"/> DEC   |



## CAUTIONS

This Gas Appliance must not be connected to a chimney flue serving a separate solid-fuel burning appliance. This appliance installation must conform with local codes with the National Fuel Gas Code ANSI Z223.1-1984 and Addenda Z223.1a-1987.

The appliance and its individual shutoff valve must be disconnected from the gas supply piping system during any pressure testing of that system at test pressures in excess of 1/2 psig. (3.5 kPa)

The appliance must be isolated from the gas supply piping system by closing its individual manual shutoff valve during any pressure testing of the gas supply piping system at test pressures equal to or less than 1/2 psig. (3.5 kPa) The appliance installer must provide a 1/8-inch N.P.T. plugged tapping accessible for test gage connection immediately upstream of the gas supply connection to the appliance.

When the appliance is installed directly on carpeting, tile, or other combustible material other than wood flooring the appliance shall be installed on a metal or wood panel extending the full width and depth of the base. This heater is equipped with a vent safety shutoff system. Designed to protect against improper venting of combustion products.

.....

### WARNING

Operation of this heater when not connected to a properly installed and maintained venting system or tampering with the vent safety shutoff system can result in carbon monoxide (CO) poisoning and possible death.

.....

### COMBUSTION AND VENTILATION AIR

The Blaze King Gas Stove incorporates its own internal drafthood so no additional external draft hood is required. Check periodically that the vent is unrestricted and an adequate draft is present when the unit is in operation.

.....

### WARNING

This appliance needs fresh air for safe operation and must be installed with provisions for adequate combustion and ventilation air available to the room in which it is to be operating. Follow CAN/CGA B149 (in Canada) or ANSI Z223.1 (In the USA) requirements any local codes or regulations of the enforcing authority. Air for combustion is drawn in through the back of the unit therefore the back of the unit must be kept clear of any obstructions.

.....

THIS APPLIANCE MUST BE INSTALLED SO THAT THE DRAFT HOOD IS IN THE SAME ATMOSPHERIC PRESSURE ZONE AS THE COMBUSTION AIR INLET.

# **ELECTRICAL GROUNDING INSTRUCTIONS**

.....  
**WARNING**

The appliance when installed must be electrically grounded in accordance with local codes or in the absence of local codes with the National Electrical Code ANSI/NFPA 70-1987. Or the current Canadian Electrical Code - CSA.C22.1.

This appliance is equipped with a three prong (grounding) plug for your protection against shock hazard and should be plugged directly into a properly grounded three-prong receptacle. Do not cut or remove the grounding prong from this plug.  
.....

# PREPARATION & ASSEMBLY

.....

## WARNING

IMPROPER ASSEMBLY AND/OR INSTALLATION OF YOUR BLAZE KING GAS STOVE OR FAILURE TO OPERATE IT ACCORDING TO THE GUIDELINES DETAILED IN THESE INSTRUCTIONS WILL VOID THE STOVE WARRANTY, CAN CAUSE A HOUSE OR CHIMNEY FIRE, AND MAY ENDANGER YOUR FAMILY. FOR YOUR SAFETY FOLLOW THE ASSEMBLY AND INSTALLATION INSTRUCTIONS CAREFULLY. CONTACT LOCAL BUILDING OR FIRE OFFICIALS ABOUT RESTRICTIONS AND INSTALLATION INSPECTION IN YOUR AREA. PLEASE READ THIS ENTIRE MANUAL BEFORE YOU INSTALL AND USE YOUR NEW STOVE. DO NOT CONNECT THIS UNIT TO A CHIMNEY FLUE SERVING ANOTHER APPLIANCE.

.....

- Due to high temperatures the room heater should be located out of traffic and away from furniture and draperies.
- Children and adults should be alerted to the hazards of high surface temperature and should stay away to avoid burns or clothing ignition.
- Young children should be carefully supervised when they are in the same room as the room heater.
- Clothing or other flammable material should not be placed on or near the room heater.
- Any safety screen or guard removed for servicing a room heater must be replaced prior to operating the room heater.
- Installation and repair should be done by a qualified service person.
- The room heater should be inspected before use and at least annually by a qualified service person.
- More frequent cleaning may be required due to excessive lint from carpeting bedding material etc.
- It is imperative that control compartments burners and circulating air passageways of the room heater be kept clean.
- To clean make sure stove is off and cold then remove logs use a vacuum to clean burner and air openings in the bottom of stove also on the back of stove.

## STOVE ASSEMBLY

REMOVE ALL ITEMS PACKED IN THE FIREBOX: IF YOU HAVE NOT ALREADY DO SO PLEASE TAKE A FEW MINUTES TO COMPLETE THE WARRANTY CARD FOUND IN THE FIREBOX AND MAIL IT TODAY.

### PRODUCT INSPECTION:

*BLAZE KING* Stoves are known for their quality materials and construction. However mistakes occasionally occur. Inspect all parts for damage due to shipping and to be sure that all needed parts are enclosed. If you discover a part is missing or damaged, contact your dealer immediately for replacement or repair.

### STOVE ASSEMBLY:

Place the stove on its back match the pedestal to bottom of stove then fasten with the 4-1/4" Bolts.

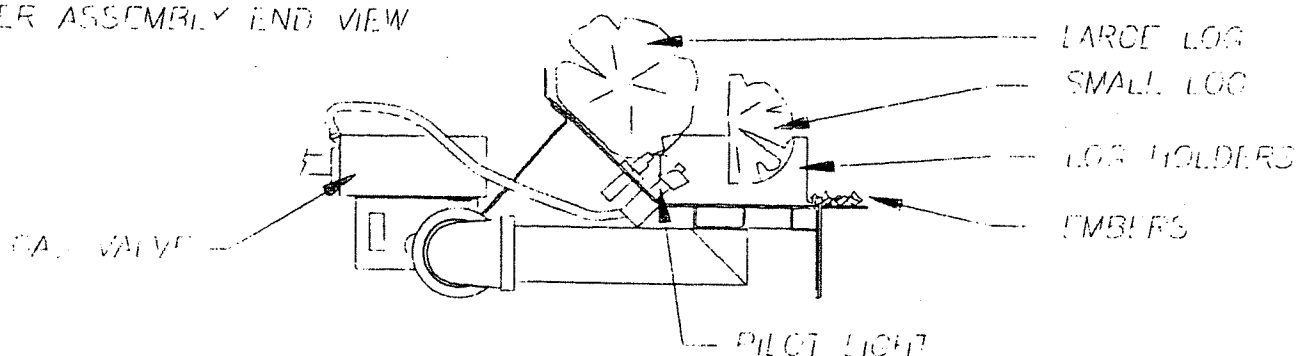
Place the stove upright.

### POSITIONING THE LOG SET:

.....  
**WARNING**

DANGEROUS OPERATING CONDITIONS MAY OCCUR IF THESE LOGS ARE NOT POSITIONED IN THEIR CERTIFIED LOCATIONS. READ THE FOLLOWING INSTRUCTIONS CAREFULLY AND REFER TO THE DIAGRAM BELOW.  
.....

BURNER ASSEMBLY END VIEW



Place large log on burner assembly so that the bottom of the log rest against the burner assembly and the front of the log rest against the relieved corners of log holders center the log on the burner assembly. Make sure the curved part of the log is up. Place the small log in log holders with the flat side to the back the small end to your left. Make sure they are centered on the two log holders. You will find a small package of "*EMBERS*" they can be broken up to the size you wish. They should be approximately the size of marbles. Use only the material provided with this stove *DO NOT ADD* more material. Arrange them over the front burner in front of the small log to resemble a coal bed.

# PLANNING FOR YOUR STOVE PLACEMENT

As you plan your installation consider the following:

Stove should be placed as central in the home as possible. Consider safety, convenience, traffic flow and the fact that the stove will need a chimney.

*DUE TO HIGH TEMPERATURE THE ROOM HEATER SHOULD BE LOCATED OUT OF TRAFFIC AND AWAY FROM FURNITURE AND DRAPERIES. MINIMUM CLEARANCES SHOWN ON PAGE 14 ARE TO PREVENT WALLS AND CEILINGS FROM CATCHING ON FIRE.*

For the type of chimney system to be used. See page 15. Electrical Power is 115.-60HZ. The stove is equipped with a fan assembly with a six-foot electrical cord. Do Not route the cord in front of the stove. Position the Stove in its final location. A floor protector maybe used for aesthetics. However when the appliance is installed directly on carpeting, vinyl or other combustible material other than wood flooring the appliance *MUST* be installed on a metal or wood panel extending the full width and depth of the Base.

.....

## WARNING

Only persons licensed to work with gas piping may make the necessary gas connection to this appliance. You are ready to hook up the Gas Supply. Be sure gas plumbing instructions and all state and local codes are carefully followed. Use approved flexible gas connections or ridged piping depending on state and local codes to attach burner to gas supply. Be *SURE* to use proper size gas Supply Line. Carefully check all connection for gas leaks with soap and water solution.

.....

.....

## CAUTION

Each installation must conform to all local state and national codes. Refer to the national fuel gas code and local zoning and code authorities for details on installation requirements. The Blaze King Stoves must be vented to the out-side in accordance with the latest edition of the National Fuel Gas Code. In the absence of local codes the installation must conform with National Fuel Gas Code ANSI Z223.1 also know as NFPA 54.

.....

# GAS CONNECTION

The gas line may be installed at this time make sure to follow all state and local codes. It is recommended by Blaze King that gas connect be made by a Licensed and qualified installer. The stove can be connected to the supply line with either rigid or approved flexible gas connection. Check with state and local codes.

There will be a 3/8 close nipple attached to the control valve at this point there must a 1/8 inch N.P.T. plugged topping accessible for a test gage. Then the connection pipe connected to a 1/2" Shut off valve. Which would be mounted to the supply line.

## PIPING DETAIL:

### NOTE:

*DO NOT DAMAGE OR KINK THE FLEX CONNECTOR. CHECK FOR GAS LEAKS WITH SOAP AND WATER SOLUTION.*

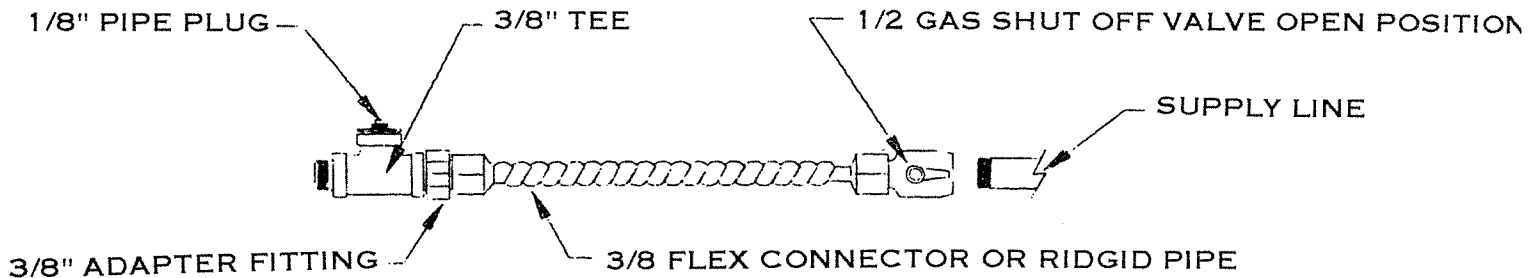
### NOTE:

*3/8" FLEX OR RIGID PIPING MAY BE USED TO CONNECT GAS SUPPLY TO UNIT DEPENDING ON STATE AND LOCAL CODES.*

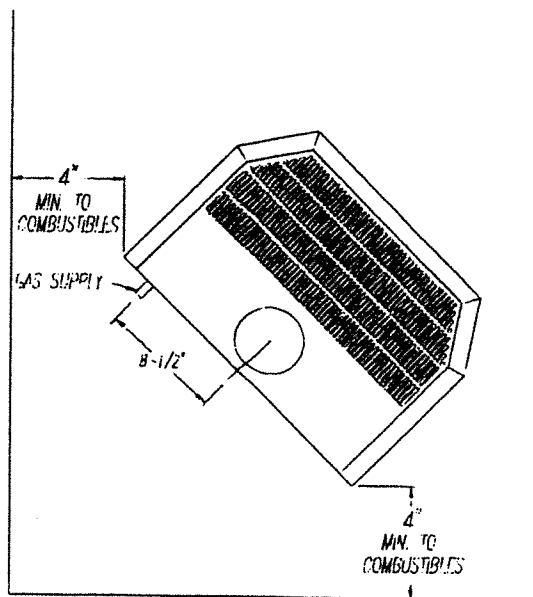
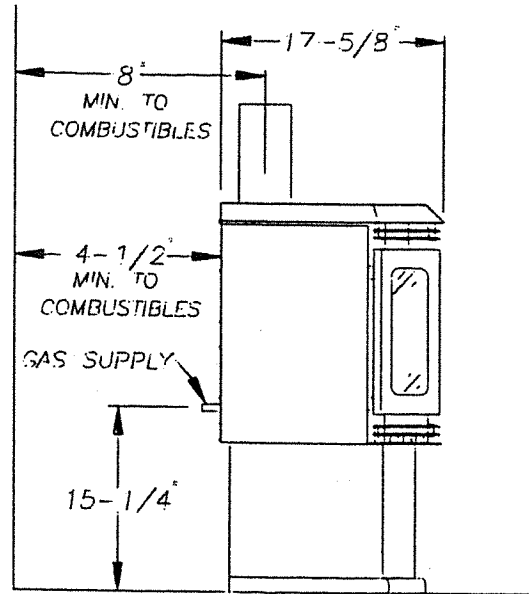
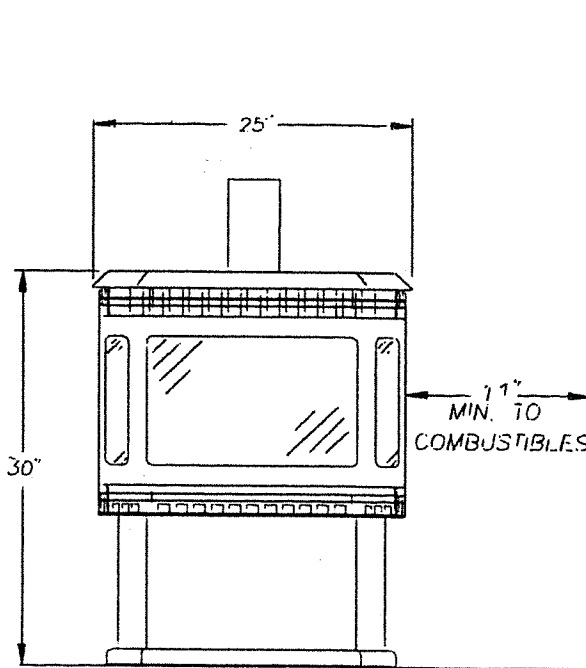
## Gas Supply Pressure

Natural Gas      7 in w.c. recommended 5.5/1.37 min./10.5/2.62 max.

LP Gas            11 in. w.c. recommended 11.0/2.74 min./13/3.2 max.



# CLEARANCES FROM COMBUSTIBLE CONSTRUCTION

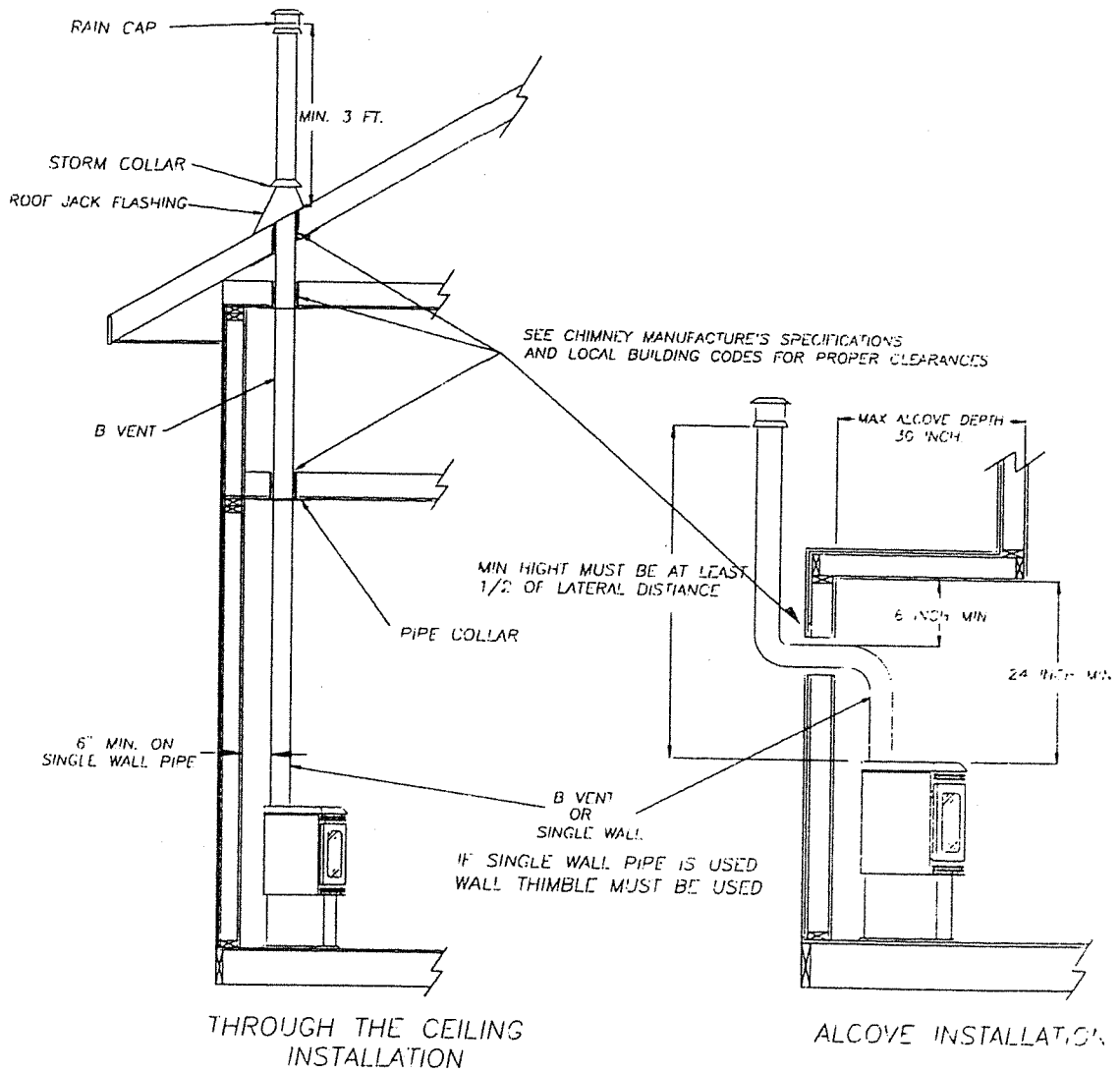


# FLUE VENTING

## WARNING

ALWAYS REFER TO LOCAL AND STATE SAFETY CODES AND VENT MANUFACTURING SPECIFICATIONS FOR SAFE AND EFFICIENT INSTALLATION.

CAUTION EACH OF THE VENT MANUFACTURER HAVE THERE OWN METHOD OF CONNECTION DO NOT MIX B-VENT WITH VARIOUS MANUFACTURERS. B-VENT MUST BE USED WHEN PASSING THROUGH A WALL CEILING OR FLOOR





# BURNER CONVERSION INSTRUCTIONS

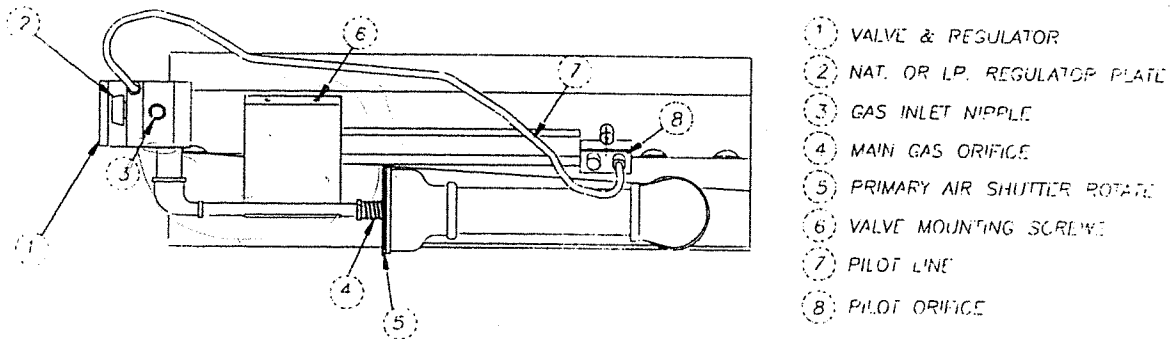
TO LP. OR NAT. GAS  
BLAZE KING RECOMENDS THIS PROCEDURE BE DONE  
BY QUALIFIED SERVICE PERSONEL.

1. REMOVE BURNER ASSEMBLY FROM STOVE.
2. REMOVE PILOT LINE AT PILOT ORIFICE END.
3. REMOVE 2 VALVE MOUNTING SCREWS.
4. REMOVE FITTING FROM PILOT BURNER.
5. PILOT ORIFICE CAN BE REMOVED AND REPLACED WITH APPROPRIATE ORIFICE.
6. REMOVE MAIN ORIFICE AND REPLACE WITH APPROPRIATE ORIFICE.
7. REASSEMBLE BURNER PARTS IN REVERSE ORDER.
8. REMOVE THE TWO SCREWS HOLDING THE REGULATOR PLATE.  
REMOVE REGULATOR & GASKET. POSITION NEW GASKET  
PROPERLY OVER PINS & INSTALL NEW REGULATOR WITH NOTCHED CORNER UP.
9. PLACE PROVIDED LP OR NAT. GAS DECAL ON VALVE.
10. FOR NAT-GAS AIR SHUTTER SHOULD BE ADJUSTED APROX 1/2 OPEN.
11. FOR LP-GAS AIR SHUTTER SHOULD BE ADJUSTED FULL OPEN.
12. REPLACE BURNER PLATE IN STOVE.

## WARNING

EACH CONNECTION MUST BE INSTRUMENT OR SOAP CHECKED  
FOR LEAKS WITH GAS PRESSURE ON

## BURNER ASSEMBLY



This unit has been tested for installations at high altitude (1370 meters or higher) in accordance with Canadian test standard CAN/CGA-2.17. Higher altitudes affect the atmospheric pressure and heat value of gaseous fuels. When installing this unit at high altitudes the rated input will be lower than sea level. The lowered oxygen content in the air and lowered gas density require installing a different orifice in order to achieve clean combustion of the unit. Consult the unit data plate for proper high altitude orifice size and fill out the information sticker attached to the unit when field converting.

# ORIFICE SIZING TABLE

Equivalent Orifice Sizes at High Altitudes  
(Includes 4% input reduction for each 1,000 feet)

Orifice size at Sea Level	Orifice Size Required at Other Elevations									
	2000	3000	4000	5000	6000	7000	8000	9000	10000	
1	2	2	3	3	4	5	7	8	10	
2	3	3	4	5	6	7	9	10	12	
3	4	5	7	8	9	10	12	13	15	
4	6	7	8	9	11	12	13	14	16	
5	7	8	9	10	12	13	14	15	17	
6	8	9	10	11	12	13	14	16	17	
7	9	10	11	12	13	14	15	16	18	
8	10	11	12	13	13	15	16	17	18	
9	11	12	12	13	14	16	17	18	19	
10	12	13	13	14	15	16	17	18	19	
11	13	13	14	15	16	17	18	19	20	
12	13	14	15	16	17	17	18	19	20	
13	15	15	16	17	18	18	19	20	22	
14	16	16	17	18	18	19	20	21	23	
15	16	17	17	18	19	20	20	22	24	
16	17	18	18	19	19	20	22	23	25	
17	18	19	19	20	21	22	23	24	26	
18	19	19	20	21	22	23	24	26	27	
19	20	20	21	22	23	25	26	27	28	
20	22	22	23	24	25	26	27	28	29	
21	23	23	24	25	26	27	28	28	29	
22	23	24	25	26	27	27	28	29	29	
23	25	25	26	27	27	28	29	29	30	
24	25	26	27	27	28	28	29	29	30	
25	26	27	27	28	28	29	29	30	30	
26	27	28	28	28	29	29	30	30	30	
27	28	28	29	29	29	30	30	30	31	
28	29	29	29	30	30	30	30	31	31	
29	29	30	30	30	30	31	31	31	32	
30	30	31	31	31	31	32	32	33	35	
31	32	32	32	33	34	35	36	37	38	
32	33	34	35	35	36	36	37	38	40	
33	35	35	36	36	37	38	38	40	41	
34	35	36	36	37	37	38	39	40	42	
35	36	36	37	37	38	39	40	41	42	
36	37	38	38	39	40	41	41	42	43	
37	38	39	39	40	41	42	42	43	43	
38	39	40	41	41	42	42	43	43	44	
39	40	41	41	42	42	43	43	44	44	
40	41	42	42	42	43	43	44	44	45	

Orifice size at Sea Level	Orifice Size Required at Other Elevations									
	2000	3000	4000	5000	6000	7000	8000	9000	10000	
41	42	42	42	43	43	44	44	45	46	
42	42	43	43	43	44	44	45	46	47	
43	44	44	44	45	45	46	47	47	48	
44	45	45	45	46	47	47	48	48	49	
45	46	47	47	47	48	48	49	49	50	
46	47	47	47	48	48	49	49	50	50	
47	48	48	49	49	49	50	50	51	51	
48	49	49	49	50	50	50	51	51	52	
49	50	50	50	51	51	51	52	52	52	
50	51	51	51	51	52	52	52	53	53	
51	51	52	52	52	52	53	53	53	54	
52	52	53	53	53	53	53	54	54	54	
53	54	54	54	54	54	54	55	55	55	
54	54	55	55	55	55	55	56	56	56	
55	55	55	55	56	56	56	56	56	57	
56	56	56	57	57	57	58	59	59	60	
57	58	59	59	60	60	61	62	63	63	
58	59	60	60	61	62	62	63	63	64	
59	60	61	61	62	62	63	64	64	65	
60	61	61	62	63	63	64	65	65	66	
61	62	62	63	63	64	65	65	66	66	
62	63	63	64	64	65	65	66	66	67	
63	64	64	65	65	65	66	66	67	68	
64	65	65	65	66	66	66	67	67	68	
65	65	66	66	66	67	67	68	68	69	
66	67	67	68	68	68	69	69	69	70	
67	68	68	68	69	69	69	70	70	70	
68	68	69	69	69	70	70	70	71	71	
69	70	70	70	70	71	71	71	72	72	
70	70	71	71	71	71	72	72	73	73	
71	72	72	72	73	73	73	74	74	74	
72	73	73	73	73	74	74	74	74	75	
73	73	74	74	74	74	75	75	75	76	
74	74	75	75	75	75	76	76	76	76	
75	75	76	76	76	76	77	77	77	77	
76	76	76	77	77	77	77	77	77	77	
77	77	77	77	78	78	78	78	78	78	
78	78	78	78	79	79	79	79	79	80	
79	79	80	80	80	80	0.013	0.012	0.012	0.012	
80	80	0.013	0.013	0.013	0.012	0.012	0.012	0.012	0.011	

# LIGHTING PREPARATION

## FOR YOUR SAFETY - READ BEFORE LIGHTING

.....  
**WARNING**

If you do not follow these instructions exactly a fire or explosion may result causing property damage, personal injury or loss of life.  
.....

A. This appliance has a pilot which is lit with a push button Piezo lighter. When lighting the pilot follow these instructions exactly.

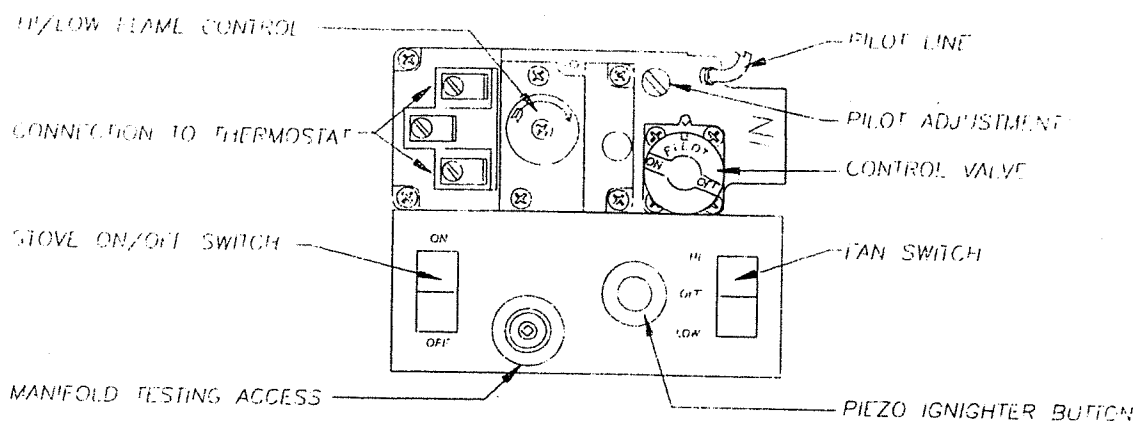
B. *BEFORE LIGHTING* smell all around the appliance area for gas. Be sure to smell next to the floor because some gas is heavier than air and will settle on the floor.

### *WHAT TO DO IF YOU SMELL GAS*

- Do not try to light any appliance.
  - Do not touch any electric switch; do not use any phone in your building.
  - Immediately call your gas supplier from a neighbor's phone. Follow the gas supplier's instructions.
  - If you cannot reach your gas supplier call the fire department.
- C. Use only your hand to push in or turn the gas control knob. Never use tools. If the knob will not push in or turn by hand don't try to repair it call a qualified service technician. Force or attempted repair may result in a fire or explosion.
- D. Do not use this appliance if any part has been under water. Immediately call a qualified service technician to inspect the appliance and to replace any part of the control system and any gas control which has been under water.

# LIGHTING INSTRUCTIONS

1. **STOP!** Read the safety information above on this page.
2. Set optional wall thermostat to Lowest setting, or turn stove switch to off.
3. Controls are accessed by opening right side door panel.
4. Turn both rocker switches to "OFF" Position.
5. Push in gas control knob slightly and turn clockwise to "OFF."



**NOTE:** Knob cannot be turned from "PILOT" to "OFF" unless knob is pushed in slightly. **DO NOT FORCE.**

6. Wait five (5) minutes to clear out any gas. If you then smell gas **STOP!** Follow "B" in the safety information on the previous page. If you don't smell gas go to next step.

7. Turn Control Knob Counter clockwise to "Pilot" Position.

8. Depress Control knob and Push in Piezo Igniter Button. Once Pilot ignites continue to hold the control knob in for about one (1) minute after the pilot is lit. Release knob and it will pop back up. Pilot should remain lit. If it goes out repeat step (8).

- If knob does not pop up when released stop and immediately call your service technician or gas supplier.
- If the pilot will not stay lit after several tries turn the gas control knob to "OFF" and call your service technician or gas supplier.

9. Turn gas control knob counterclockwise to "ON" Turn on all electric power to the appliance. Set thermostat to desired setting.

## TO TURN OFF GAS TO APPLIANCE

1. Set the thermostat to Lowest setting.
2. Turn off all Electric power to the appliance if service is to be performed.
3. Push in gas control knob slightly and turn clockwise to "OFF". **DO NOT FORCE.**

## **GAS FLAME ADJUSTMENT**

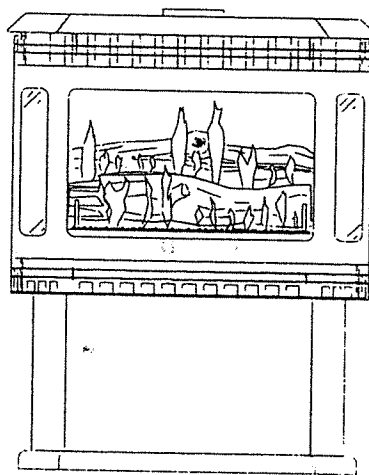
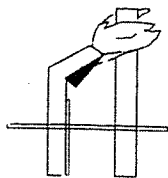
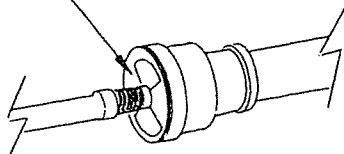
To adjust the flame so it has the proper shape and color without making soot on the glass or logs.

The primary air shutter should be set approximately 1/2 open for Natural Gas and approximately full open for LP Gas.

To adjust, open shutter until the flame turns blue, then close shutter until a soft red flame is obtained. The shutter is spring loaded so it will stay in that position.

If this makes soot on either the logs or glass the setting must be opened gradually until the glass and logs stay clean.

AIR SHUTTER ADJUSTMENT

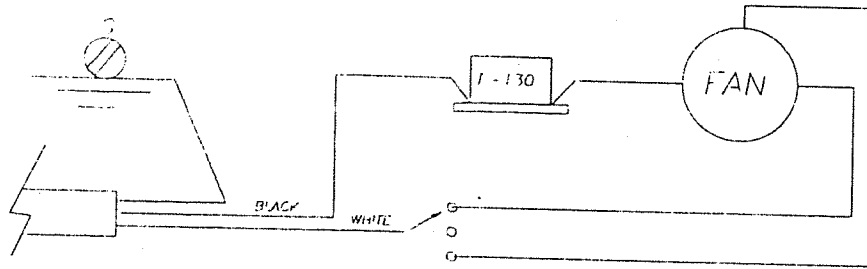


The pilot flame must envelop approximately 1/2 of the Millivolt Generator. It must burn clean. Refer to page 17 for pilot adjustment.

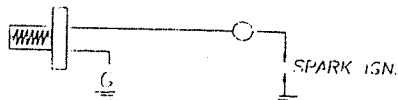
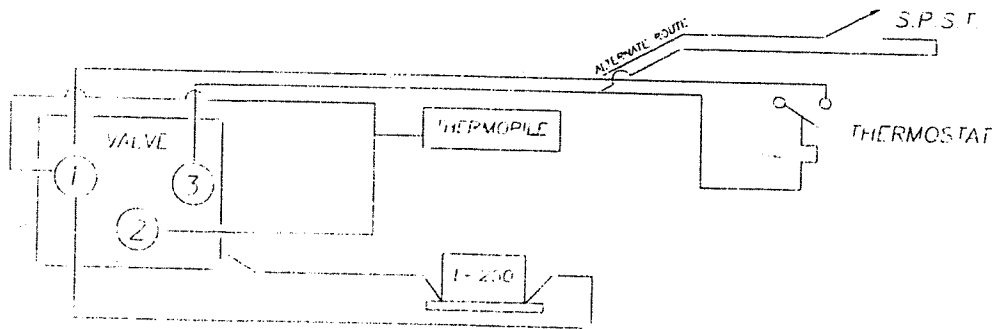
Periodically checking of the flame pattern is necessary. The flame should look approximately like the picture. The base of the flame must not rise above burner plate. All parts must be lit. If there are any problems contact your serviceman.

# WIRING DIAGRAMS

A C



MILLIVOLT



# REPLACEMENT PARTS LIST

<u>Part Name</u>	<u>Part#</u>	<u>Part Name</u>	<u>Part#</u>
1. Gas Valve	718	15. Electrode	738
2. Fan	718	16. Fiber embers	745
3. PG9 Pilot	721	17. Pressure Reg. Natural Gas	747
4. Gas Orifice	722	18. 90" Glass Gasket	0254
5. 7/16 I.D. X 1/2 Spring	723	19. 80" Door Rope	0381
6. On/Off Switch	725	20. Power Cord	0518
7. Side Glass (4 1/2 X105/8)	728	21. F130 Snap Disc.	1144A
8. Dr Glass (17-1/4 X 10-5/8)	729	22. F250 Snap Disc.	1146A
9. Front Log	730	23. Door	9018
10. Back Log	731	24. Trim Mounting Bracket	9031
11. Door Latch	733	25. Front Decor	9032
12. Propane Kit	734	26. Wood Base	9079
13. Wall Thermostat	736	27. Lower Heat Exchanger	9062
14. Push Button Ignitor	737	28. Fan	725

Call your local *BLAZE KING* dealer or contact *BLAZE KING INDUSTRIES*.

B.K.I., INC. • P.O. Box 367 • College Place, Washington 99324  
(509) 522-2730

