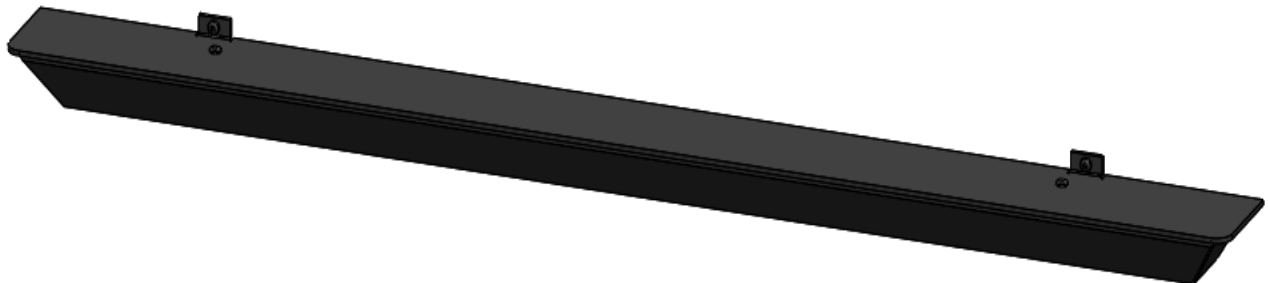
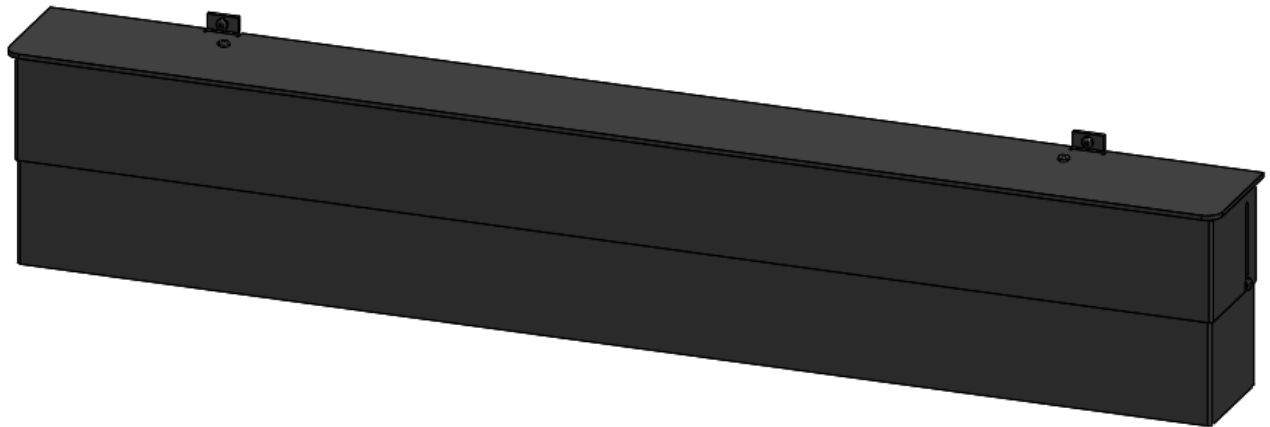




**S.Z4990 CL2714 SHELF WITH RISERS &
S.Z4994 CL2714 ANGLED SHROUD BASE**



CALIFORNIA PROPOSITION 65

WARNING: This product can expose you to chemicals including benzene, which is known to the State of California to cause cancer and birth defects or other reproductive harm. For more information:

www.P65Warnings.ca.gov

Manufactured By

Valley Comfort Systems Inc.
1290 Commercial Way
Penticton, BC V2A 3H5
CANADA
Phone: 250-493-7444
Fax: 250-493-5833

Blaze King Industries
146 A Street
Walla Walla, WA 99362
U.S.A.
Phone: (509) 522-2730
Fax: (509) 522-9803

Pour la version française de nos manuels S.V.P. vous référez à notre site web: www.blazeking.com

1. If already installed, remove the Shroud Screen assembly and set aside. **(Fig.1)**

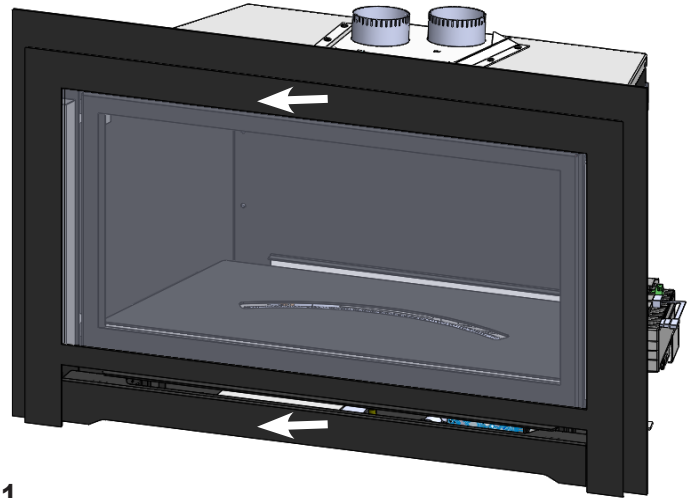


Fig.1

2. Determine the height of coverage required:
 - If 3" to 3 1/2" required, discard Inner Riser
 - If 3 1/2" to 6" required, keep Inner Riser installed

3. Center Shroud Shelf on front of unit and align x2 mount holes; once in position, fasten shelf to unit. **(Fig.2)**

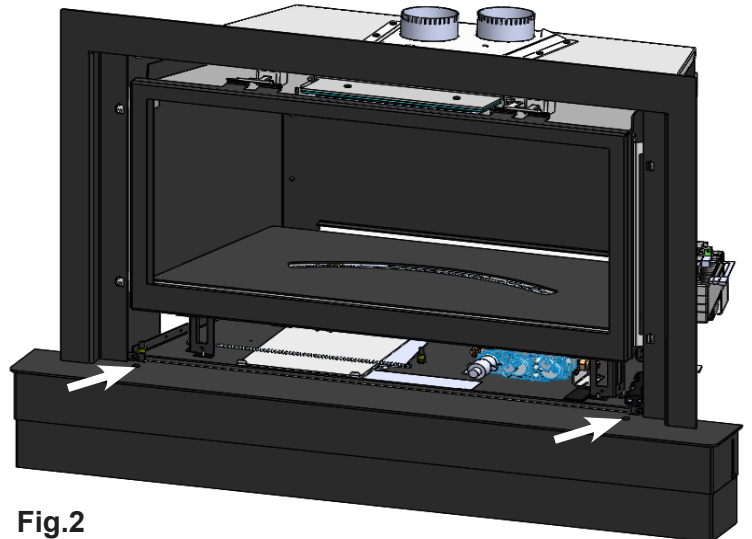


Fig.2

4. Lower Inner Riser to desired level and fasten screws on left and right sides to hold in place.

5. Reinstall Screen Shroud assembly. **(Fig.3)**

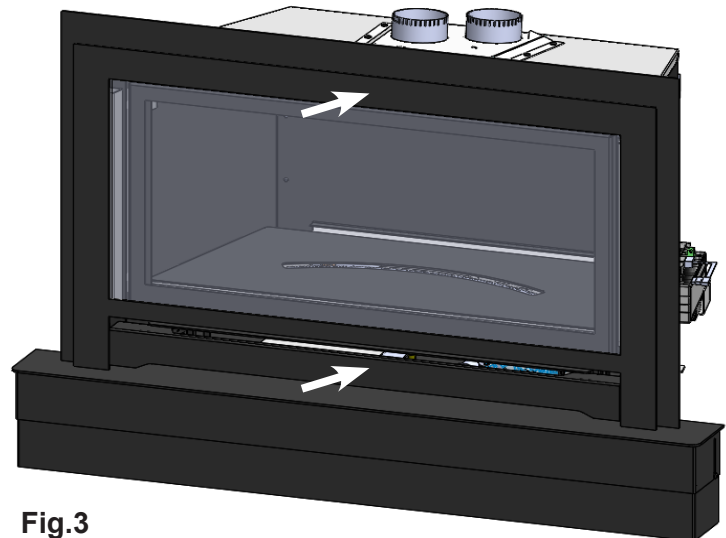


Fig.3

1. If already installed, remove the Shroud Screen assembly and set aside. **(Fig.1)**

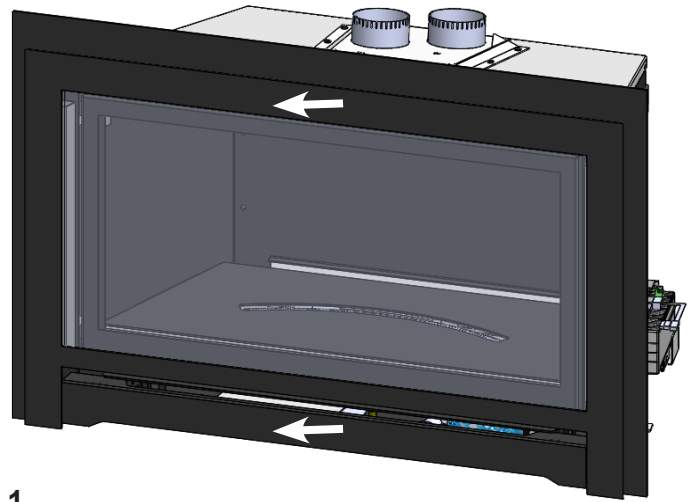


Fig.1

2. Center Shroud Shelf on front of unit and align x2 mount holes; once in position, fasten shelf to unit. **(Fig.2)**

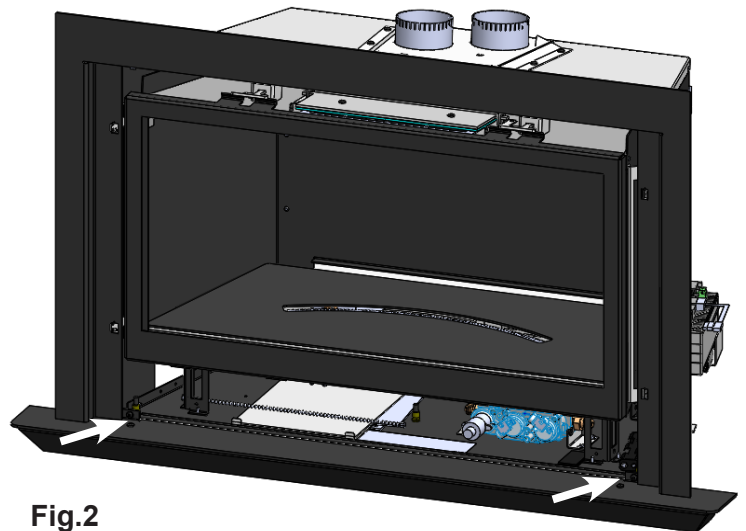


Fig.2

3. Reinstall Screen Shroud assembly. **(Fig.3)**

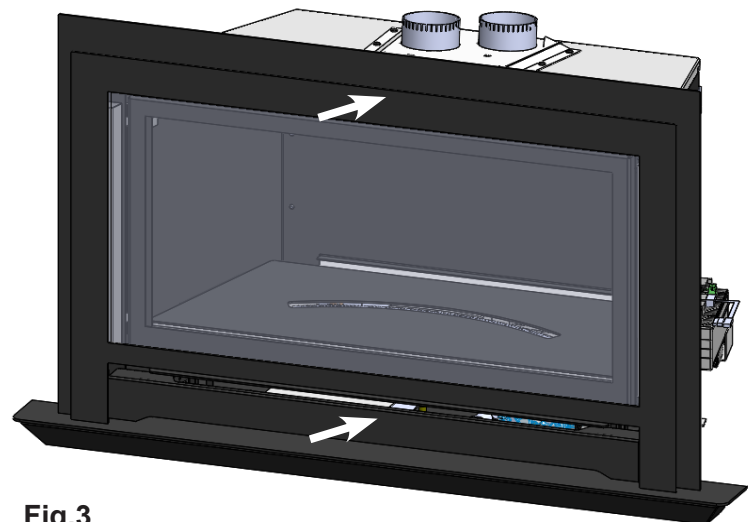


Fig.3