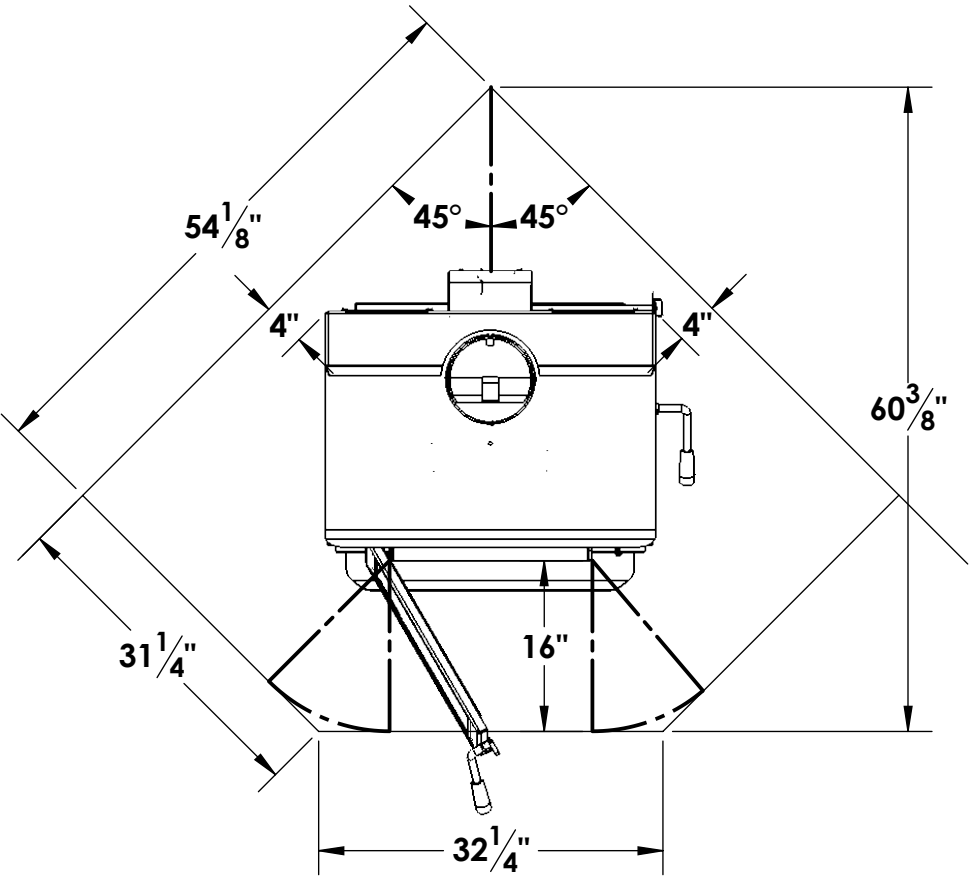


**CANADA
CLEARANCE with HEARTH PAD**



**USA
CLEARANCE with HEARTH PAD**

Valley Comfort Systems Inc
1290 Commercial way Penticton, BC V2A 3H5

Part Name	Part Number
-----------	-------------

KE40 corner clearance with ember protection

Date	Revision date	Model
------	---------------	-------

SEP 26 19		KE40
-----------	--	------

Drawn By	Quantity per	Material / Thickness
----------	--------------	----------------------

TJ	1	
----	---	--

WEIGHT:

PUNCH BLANK SIZE:

LASER BLANK SIZE:

All Dimensions in Inches

Tolerance

General	Hole Size	Hole Pos	Angles
---------	-----------	----------	--------

+/- 0.03	+/- 0.005	+/- 0.03	+/- 0.5
----------	-----------	----------	---------