

**CANADIAN HEARTH PAD**  
 \*18" FROM FRONT FLANGE TO PAD FRONT  
 \*8" FROM UNIT SIDES TO PAD SIDES  
 \*8" FROM UNIT BACK TO PAD BACK

**18+27 1/8+8 = 53 1/8" DEEP**

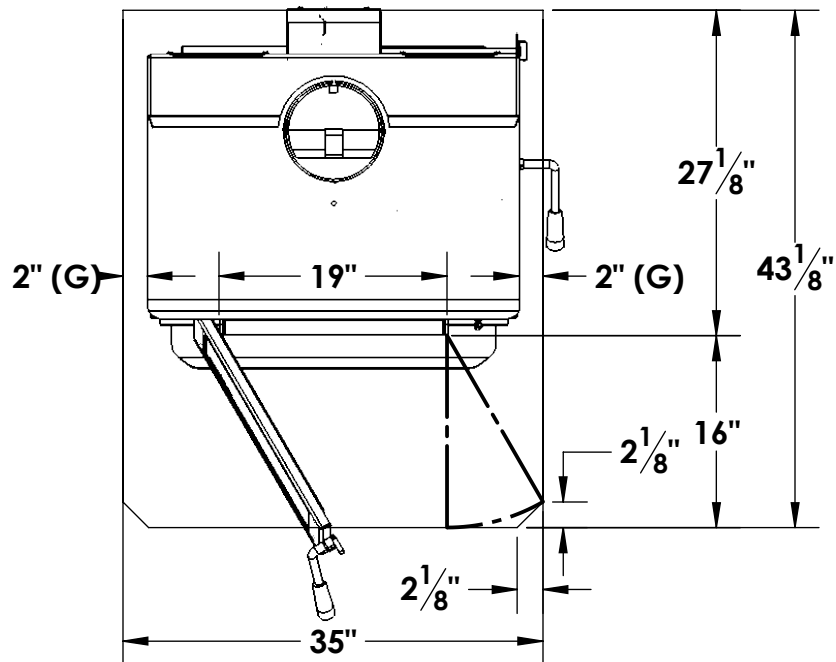
**8+31+8 = 47" WIDE**

**USA HEARTH PAD**  
 \*16" FROM FRONT FLANGE TO PAD FRONT  
 \*8" FRONT FLANGE SIDES TO PAD SIDES  
 \*0" REAR CLEARANCE

**16+27 1/8+0 = 43 1/8" DEEP**

**8+19+8 = 35" WIDE**

**G = 8-6" = 2"**



<b>Valley Comfort Systems Inc</b>		
1290 Commercial way Penticton, BC V2A 3H5		
Part Name		Part Number
KE40 hearth pad		
Date	Revision date	Model
SEP 26 19	??	KE40
Drawn By	Quantity per	Material / Thickness
TJ	1	
All Dimensions in Inches		
Tolerance		
General	Hole Size	Hole Pos
+/- 0.03	+/- 0.005	+/- 0.03
	Angles	
	+/- 0.5	
WEIGHT:		
PUNCH BLANK SIZE:		
LASER BLANK SIZE:		