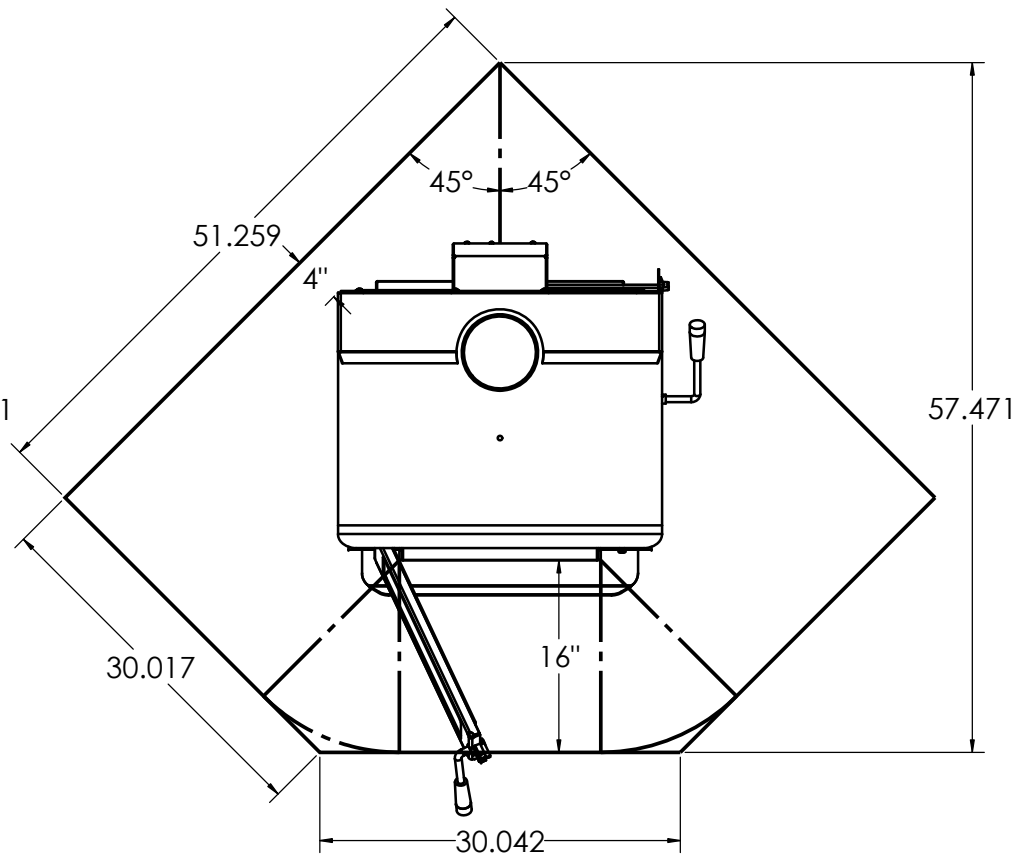


CANADA



USA

Valley Comfort Systems Inc

1290 Commercial way Penticton, BC V2A 3H5

Part Name	Part Number
------------------	--------------------

PE32 corner clearance with hearth pad	
---------------------------------------	--

Date	Rev Date	Model
-------------	-----------------	--------------

OCT 25 18	??	S.PE32
-----------	----	--------

Drawn By	QTY Per	Material	Thickness
-----------------	----------------	-----------------	------------------

TJ	1		
----	---	--	--

All Dimensions in Inches

Tolerance

General	Hole Size	Hole Pos	Angles
----------------	------------------	-----------------	---------------

+/- 0.03	+/- 0.005	+/- 0.03	+/- 0.5
----------	-----------	----------	---------

WEIGHT:

PUNCH BLANK SIZE:

LASER BLANK SIZE: