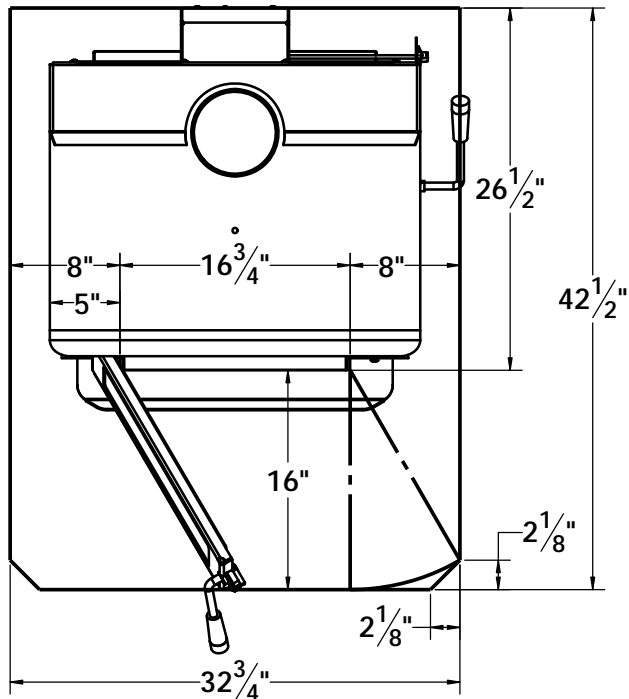


### CANADIAN HEARTH PAD

- \*18" FROM FRONT FLANGE TO PAD FRONT
- \*8" FROM UNIT SIDES TO PAD SIDES
- \*8" FROM UNIT BACK TO PAD BACK

$$8+27+8 = 43" \text{ WIDE}$$

$$18+26 \frac{1}{2}+8 = 52 \frac{1}{2}" \text{ DEEP}$$



### USA HEARTH PAD

- \*16" FROM FRONT FLANGE TO PAD FRONT
- \*8" FRONT FLANGE SIDES TO PAD SIDES
- \*0" REAR CLEARANCE

$$8+16 \frac{3}{4}+8 = 32 \frac{3}{4}" \text{ WIDE}$$

$$16+26 \frac{1}{2}+0 = 42 \frac{1}{2}" \text{ DEEP}$$

$$G = 8 - 5" = 3"$$

## Valley Comfort Systems Inc

1290 Commercial way Penticton, BC V2A 3H5

Part Name		Part Number	
PE32 ember hearth pad			
Date	Rev Date	Model	
AUG 29 18	??	S.PE32	
Drawn By	QTY Per	Material	Thickness
TJ	1		

All Dimensions in Inches			
Tolerance			
General	Hole Size	Hole Pos	Angles
+/- 0.03	+/- 0.005	+/- 0.03	+/- 0.5

WEIGHT:  
PUNCH BLANK SIZE:  
LASER BLANK SIZE: