



CL2714 Mid-Size Insert

Clarity 2714

Gas Fireplace Insert



Blaze  King

www.blazeking.com

CLARITY CL2714

A stove with interchangeable options

🕒 **Design** The Clarity CL2714 is a versatile insert that lets you choose from many options to suit your style. Whether you want a classic look with a hardwood log set and brick liner, or a sleek look with reflective black and mirrored glass, you can make it happen. You can even personalize your design with your own artwork. For example, check out our exclusive Christmas Village, a colorful glass artwork for the rear firebox, on the page 4. The options include 2 types of ceramic logs, ceramic brick liners, black and mirrored glass options, 5 shroud sizes, 2 shroud bases, 3 mantle shields, 2 gas types (NG or LP), a fan option, and a smart home kit option. With so many possibilities, you can create the perfect performance and design for your home.

Unlike other manufacturers, we use a heavy gauge steel construction in all our inserts. When you purchase a Blaze King product you know it is built to last.

🕒 **Radiant Heat Versus Convection Heat** The CL2714 gives you the feeling of a real fire with radiant heat. Radiant heat is like the sun, it warms up objects. The CL2714 has a very large glass area that lets more radiant heat into the room. The glass area is 27" x 14", which is one of the biggest you can find on a medium sized insert. And the best part is, it can fit into a 30" wide fireplace.



CL2714 with 32" x 44" trimmed to fit shroud, traditional log set and red brick liner

CLARITY CL2714

Convection heat is when you heat the air. The optional fan system, on the CL2714 moves room air over the hot surface of your fireplace insert and circulates it evenly around your home.



CL2714 with river washed log set and 4 piece reflective glass set



CL2714 7 piece river washed log set



CL2714 traditional log set



CL2714 red brick firebox liner

Clarity CL2714 Features

- 🕒 Customizable firebox
- 🕒 Fits smaller 30" fireplace openings
- 🕒 Large glass viewing area (27" x 14")
- 🕒 Radiant heating for quiet operation
- 🕒 "Invisimesh" safety screen
- 🕒 Smart-Home ready



CL2714 with river wash log set

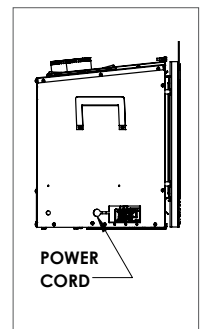
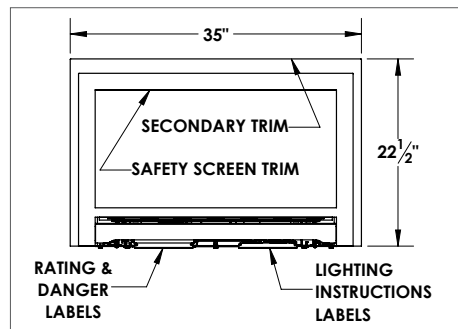
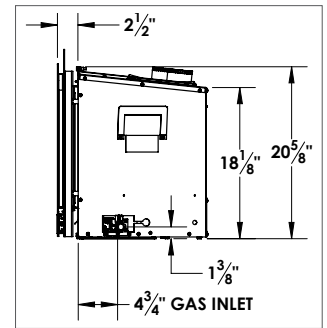
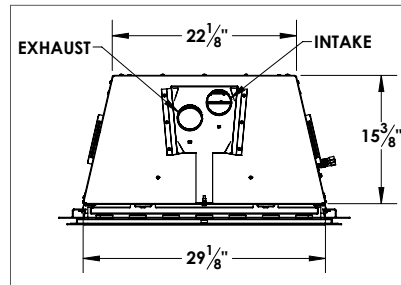
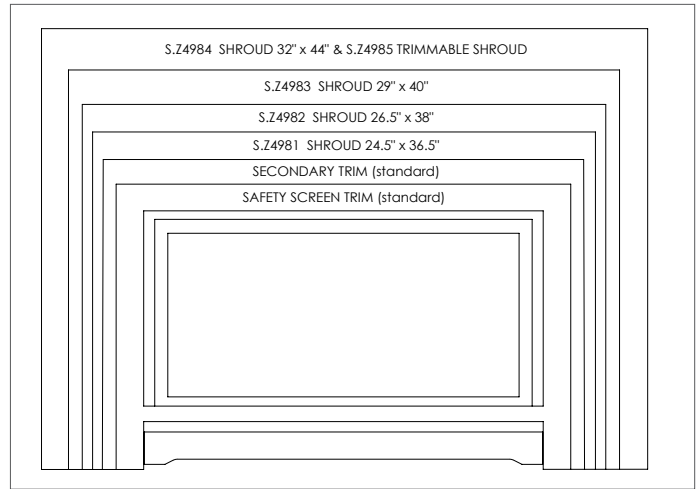


CL2714 Mid-Size Insert

Clarity CL2714 Fireplace Insert Specifications

Width x Height at front	29 ¹ / ₈ " x 20 ⁵ / ₈ "
Width x Height at rear	22 ¹ / ₈ " x 18 ¹ / ₈ "
Depth	15 ¹ / ₂ "
Minimum fireplace opening	29 ¹ / ₄ " x 20 ³ / ₄ " x 15 ¹ / ₂ " (W x H x D)
Clearance to 12" mantel from bottom of unit	48" (32" with shield)
Minimum ceiling clearance from bottom of unit	67 ¹ / ₂ "
Venting - collinear	3" x 3"

Clarity CL2714: Performance / Efficiency	
Performance:	
Square foot heated	600 to 1,400
BTU input	25,000
Heat turn down	50%
Efficiency:	
Steady State Efficiency	NG 66.87% – LP 69.48%
Steady State Efficiency - SP	NG 66.87% – LP 69.48%
P.4 - annual fireplace efficiency-IPI	NG 63.82%* – LP 64.63%*



Blaze King

www.blazeking.com

CL2714 with custom design glass

E&OE. Every effort is made to present accurate information in this brochure. Brochures are for marketing purposes and subject to change without notice. Please consult your owners manual prior to any installation.

Q.370
10-2023

