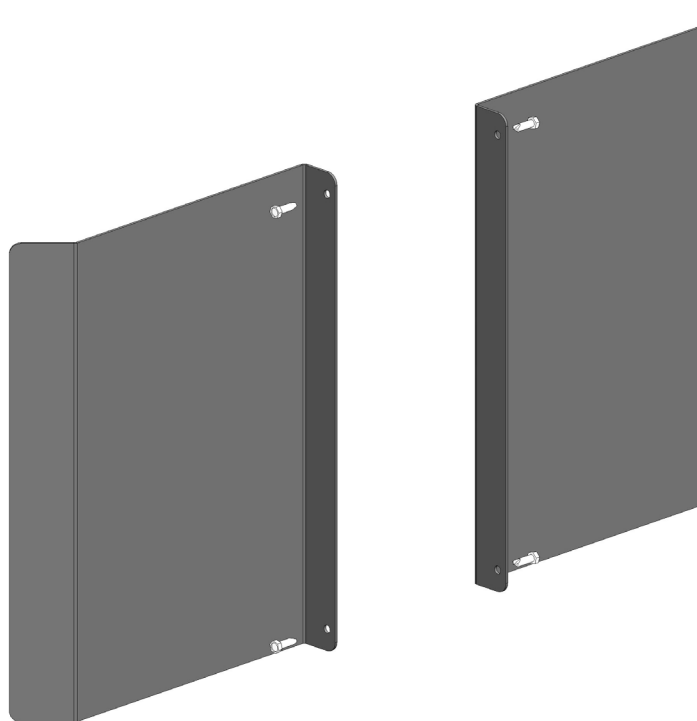




Z4710 OPTIONAL REAR SHIELD FOR KE1107 & KE40



CALIFORNIA PROPOSITION 65

WARNING: This product can expose you to chemicals including benzene, which is known to the State of California to cause cancer and birth defects or other reproductive harm. For more information:

www.P65Warnings.ca.gov

Manufactured By

Valley Comfort Systems Inc.

1290 Commercial Way
Penticton, BC V2A 3H5
CANADA

Phone: 250-493-7444

Fax: 250-493-5833

Blaze King Industries

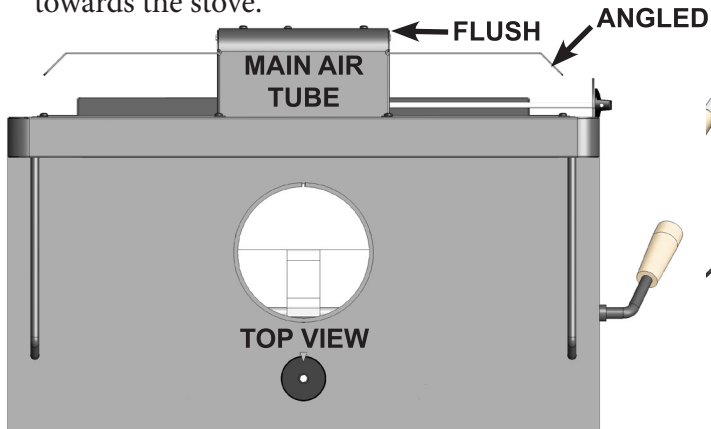
146 A Street
Walla Walla, WA 99362
U.S.A.

Phone: (509) 522-2730

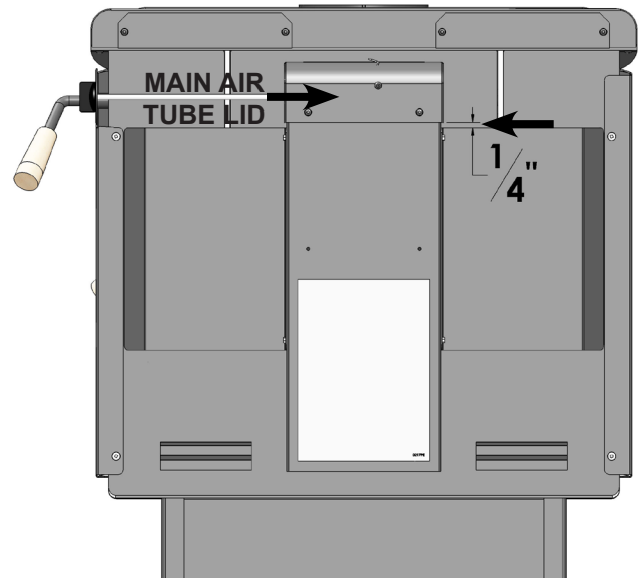
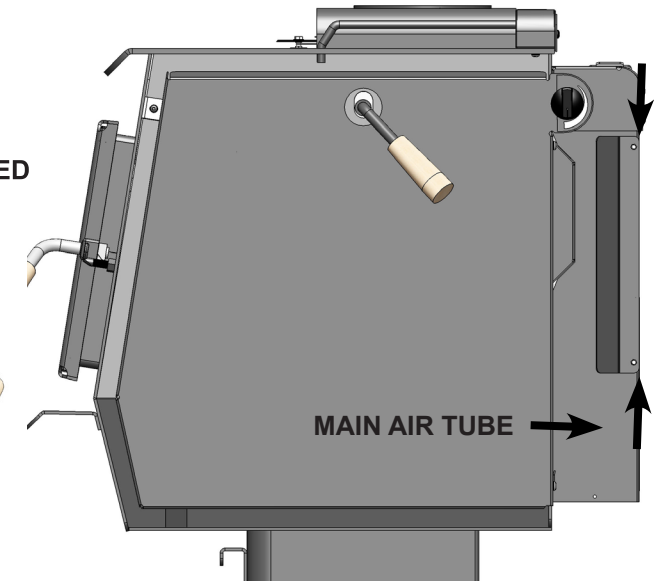
Fax: (509) 522-9803

Rear shield installation

1. The rear shields should be installed with the screw flange flush with the back of the main air tube, and the outside flanges angled inward, towards the stove.



2. Position the rear shields so that the top edge is approximately 1/4" down from the bottom edge of the main air tube lid.



3. Screw the rear shields to the stove using a 1/4" hex driver and the supplied #8 x 1/2" tek screws. The screws are self drilling, but the main tube may be pre-drilled using a 9/64" drill to make installation easier.

