

Blaze King

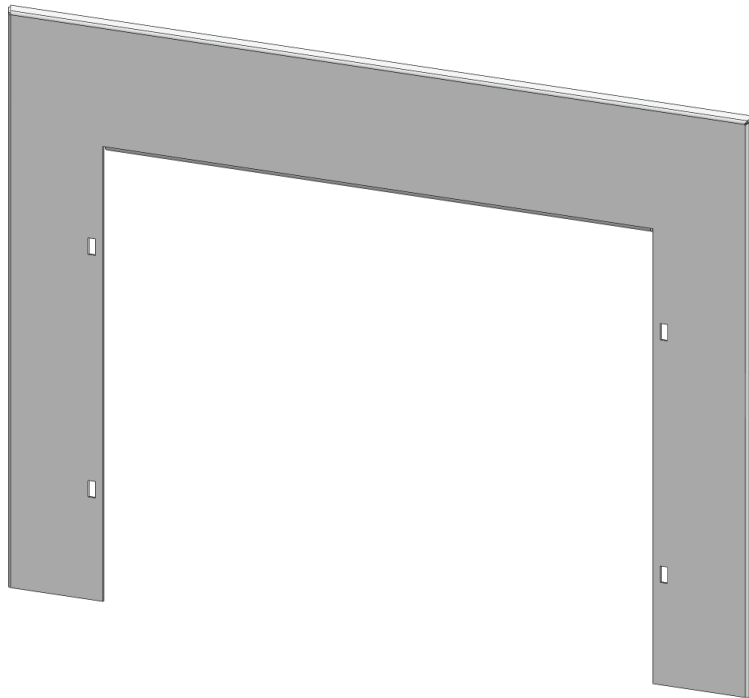
S.Z4981 CL2714 SHROUD 24.5" x 36.5"

S.Z4982 CL2714 SHROUD 26.5" x 38"

S.Z4983 CL2714 SHROUD 29" x 40"

S.Z4984 CL2714 SHROUD 32" x 44"

S.Z4985 CL2714 SHROUD 32" x 44" TRIMMABLE



CALIFORNIA PROPOSITION 65

WARNING: This product can expose you to chemicals including benzene, which is known to the State of California to cause cancer and birth defects or other reproductive harm. For more information:

www.P65Warnings.ca.gov

Manufactured By

Valley Comfort Systems Inc.

1290 Commercial Way
Penticton, BC V2A 3H5
CANADA

Phone: 250-493-7444
Fax: 250-493-5833

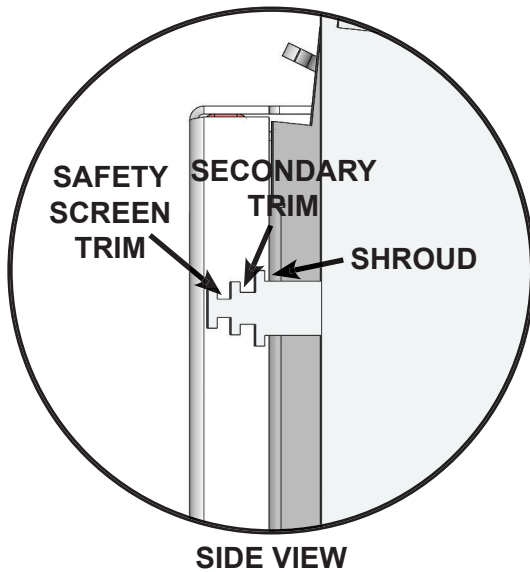
Blaze King Industries

146 A Street
Walla Walla, WA 99362
U.S.A.

Phone: (509) 522-2730
Fax: (509) 522-9803

Pour la version française de nos manuels S.V.P. vous référez à notre site web: www.blazeking.com

1. If the safety screen trim and secondary trim are on the appliance they may be removed and set aside, lift them up and off of the shroud supports on the appliance.
2. There are four shroud supports on the appliance where the shrouds mount. (**Fig.1**)



3. Align the four shroud supports with the shroud slots. Move the shroud onto the appropriate slots (see image above and **Fig.2**).

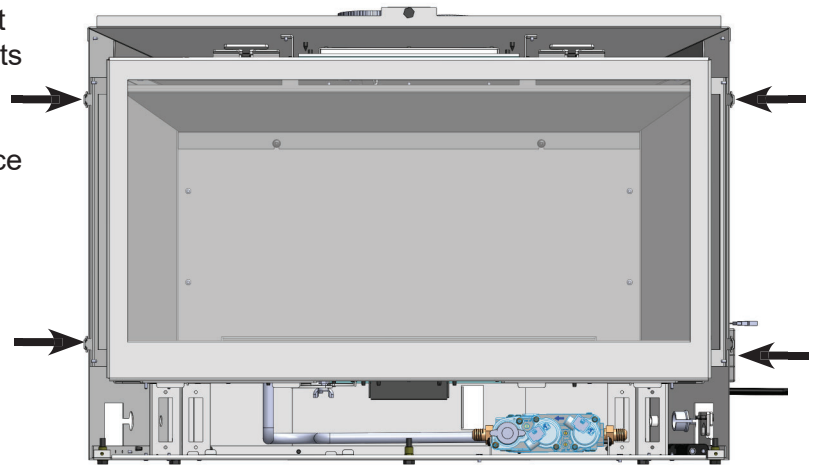


Fig.1

4. Align the four shroud supports with the shroud secondary trim slots. Move the secondary trim onto the appropriate slots (see image above and **Fig.3**).
5. The safety screen trim may now be reinstalled.

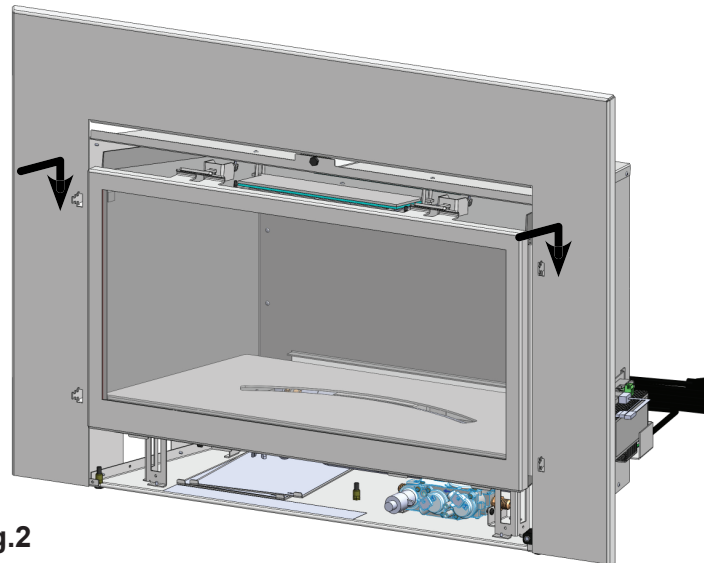


Fig.2

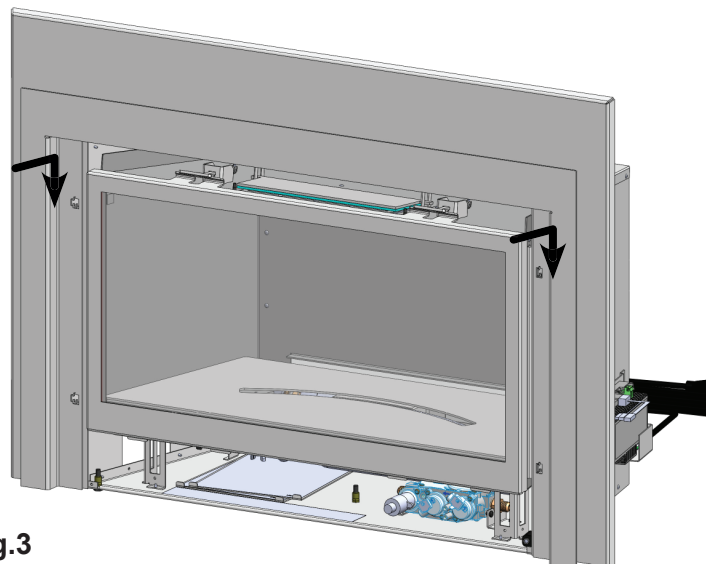


Fig.3