

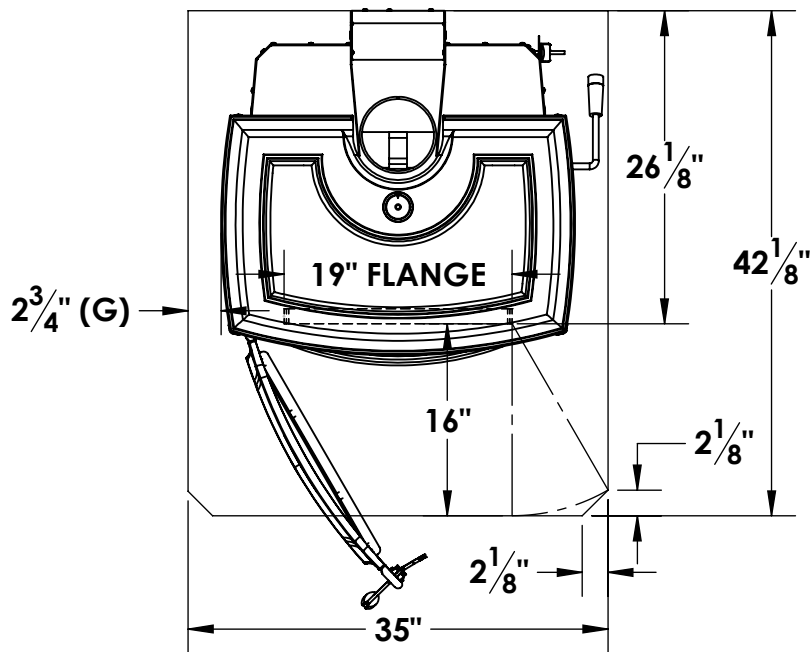
### AF30 HEARTH PAD SPECS

#### CANADIAN HEARTH PAD

- \*18" FROM FRONT FLANGE TO PAD FRONT
- \*8" FROM UNIT SIDES TO PAD SIDES
- \*8" FROM UNIT BACK TO PAD BACK

$8+29\frac{1}{2}$  (width)+8 = 45  $\frac{1}{2}$ " WIDE

$18+26\frac{1}{8}+8$  = 52  $\frac{1}{8}$ " DEEP



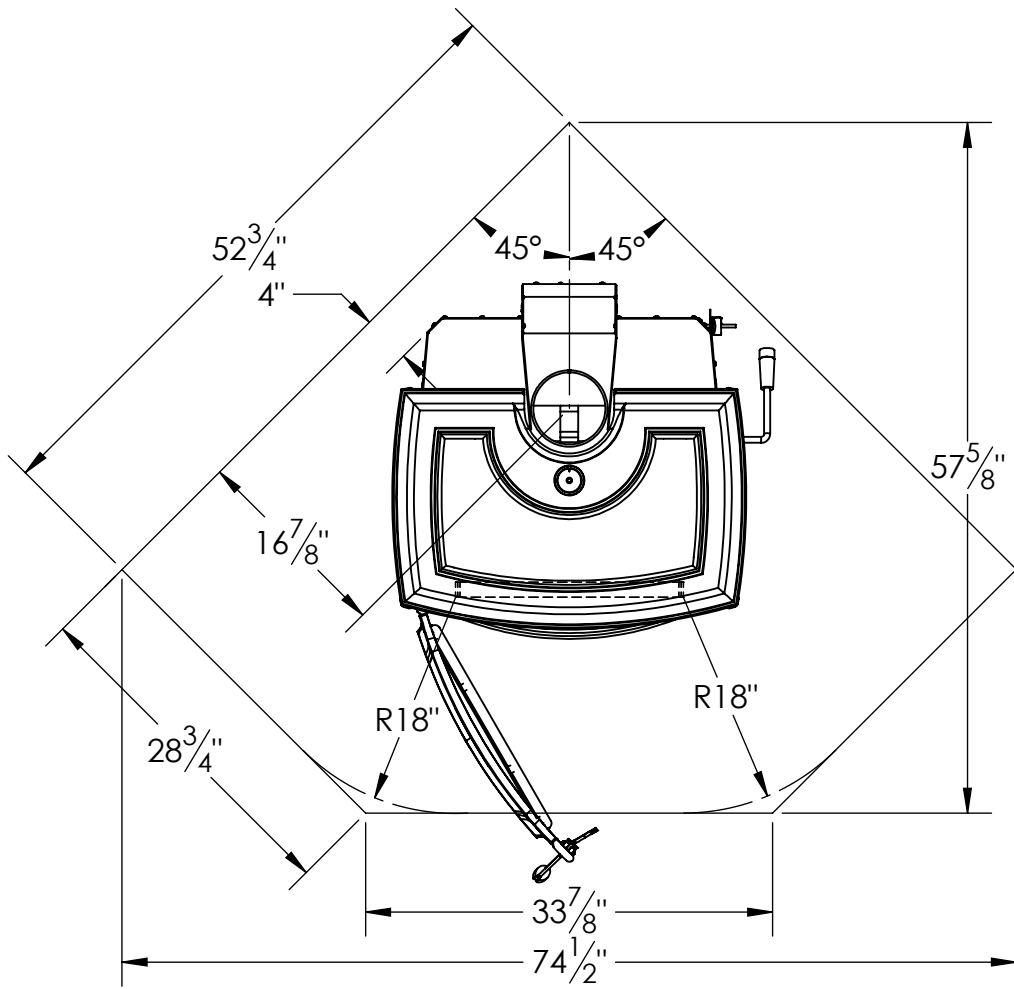
#### USA HEARTH PAD

- \*16" FROM FRONT FLANGE TO PAD FRONT
- \*8" FRONT FLANGE SIDES TO PAD SIDES
- \*0" REAR CLEARANCE

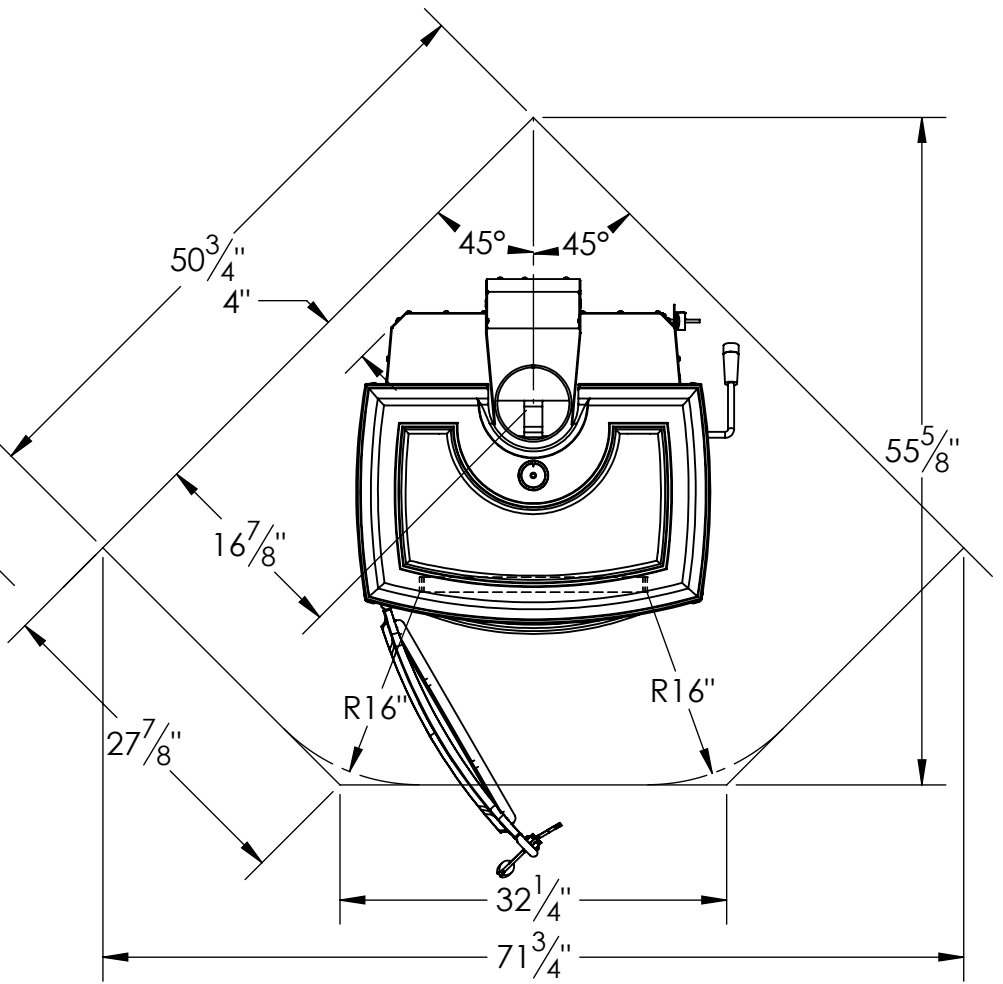
$8+19$  (flange)+8 = 35" WIDE

$16+26\frac{1}{8}+0$  = 42  $\frac{1}{8}$ " DEEP

$G = 8-5\frac{1}{4} = 2\frac{3}{4}$ "



**CANADA**



**USA**