

BX24 HEARTH PAD SPECS

CANADIAN HEARTH PAD

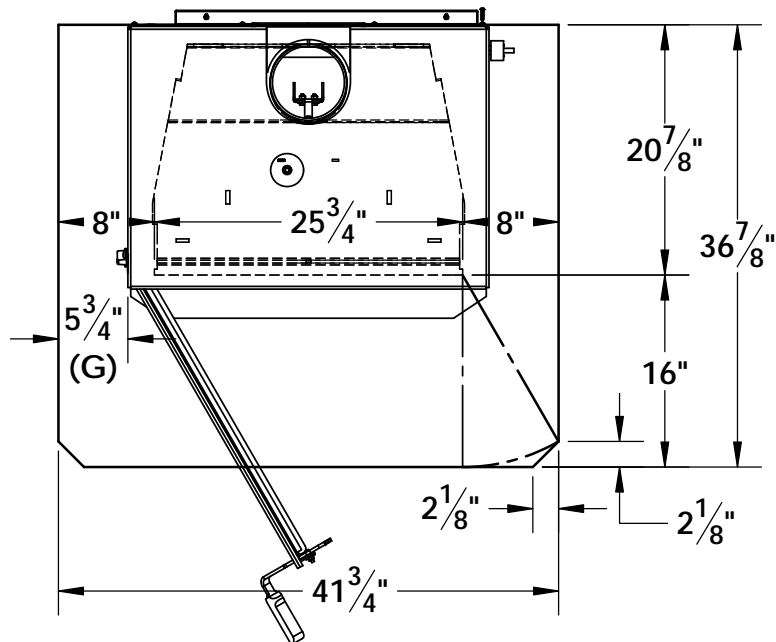
*18" FROM FRONT FLANGE TO PAD FRONT

*8" FROM UNIT SIDES TO PAD SIDES

*8" FROM UNIT BACK TO PAD BACK

$$8 + 30 \frac{1}{8} \text{ (width)} + 8 = 46 \frac{1}{4} \text{ WIDE}$$

$$18 + 20 \frac{3}{4} + 8 = 46 \frac{3}{4} \text{ DEEP}$$



USA HEARTH PAD

*16" FROM FRONT FLANGE TO PAD FRONT

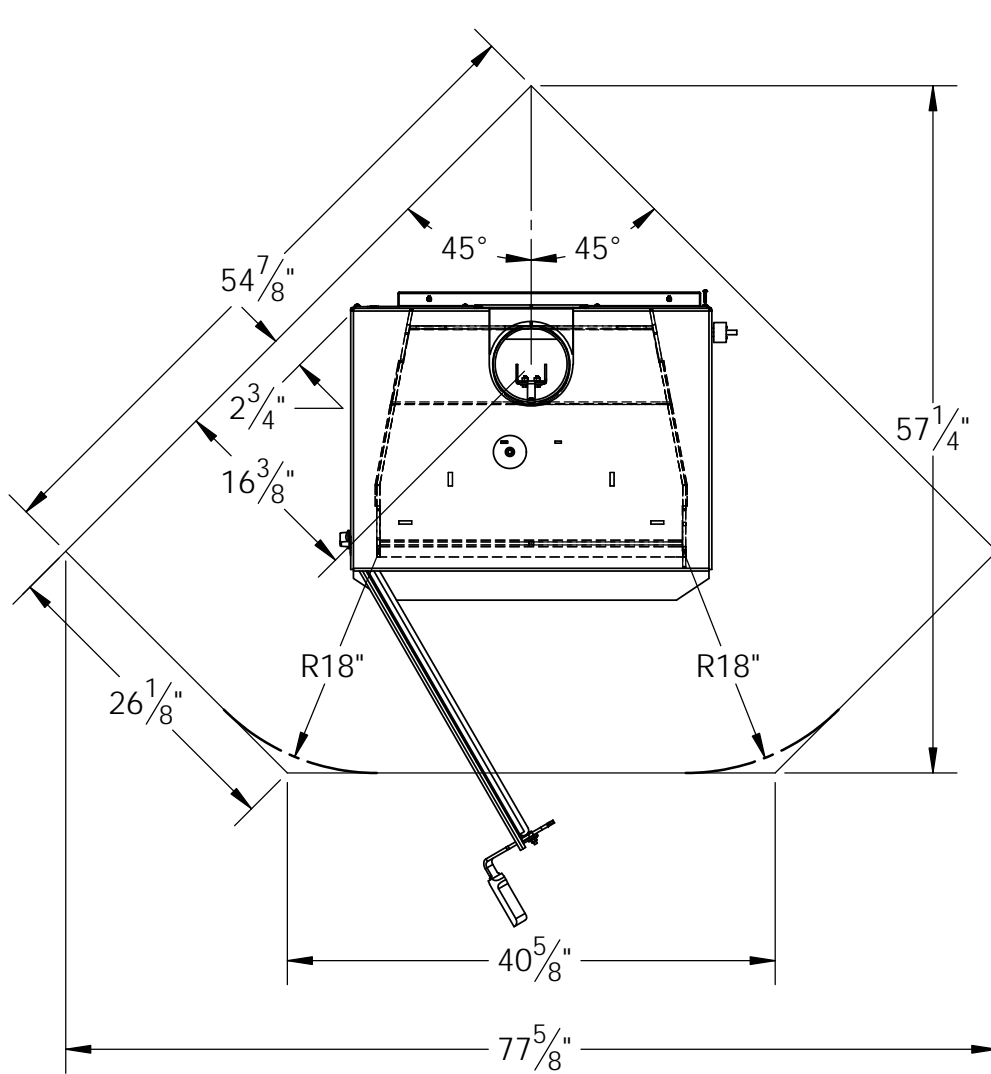
*8" FRONT FLANGE SIDES TO PAD SIDES

*0" REAR CLEARANCE

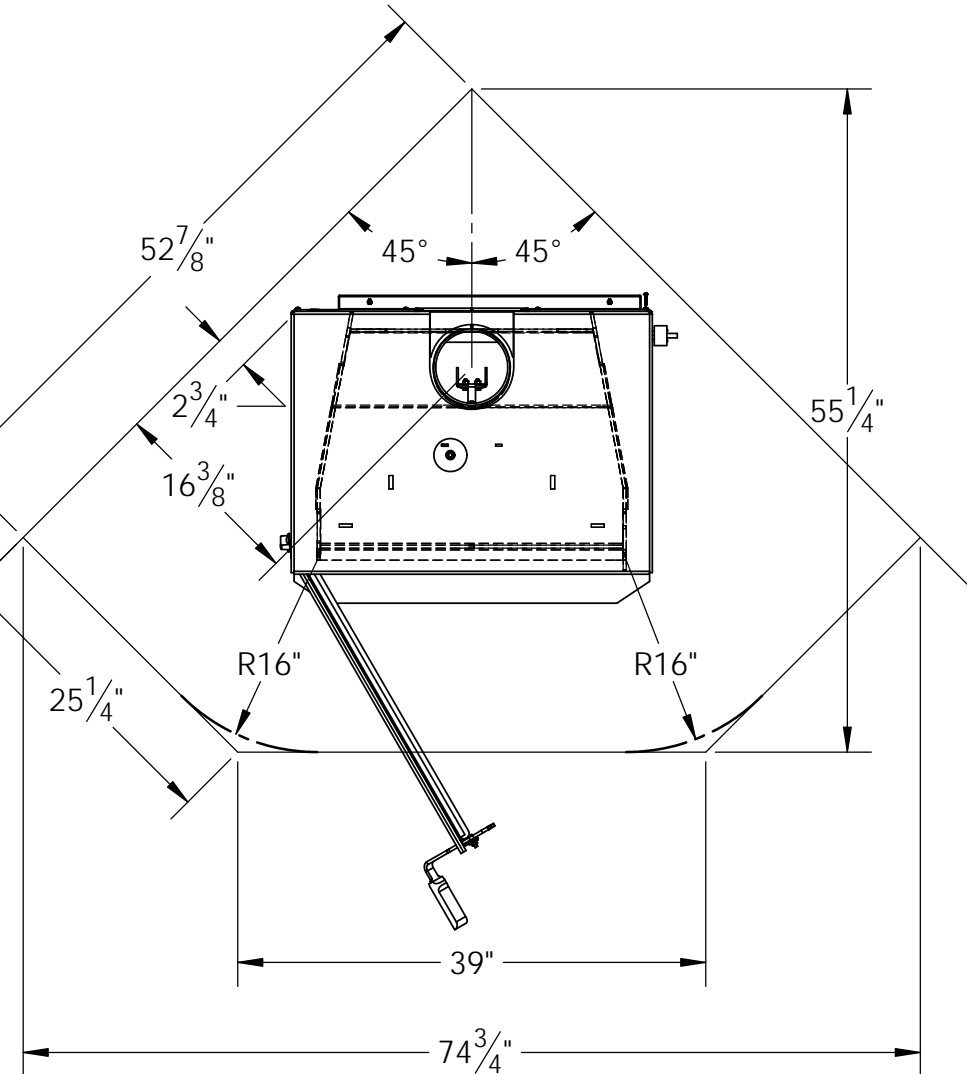
$$8 + 25 \frac{3}{4} \text{ (flange)} + 8 = 41 \frac{3}{4} \text{ WIDE}$$

$$16 + 20 \frac{3}{4} + 0 = 36 \frac{3}{4} \text{ DEEP}$$

$$G = 8 - 2 \frac{1}{4} = 5 \frac{3}{4}$$



CANADA



USA