

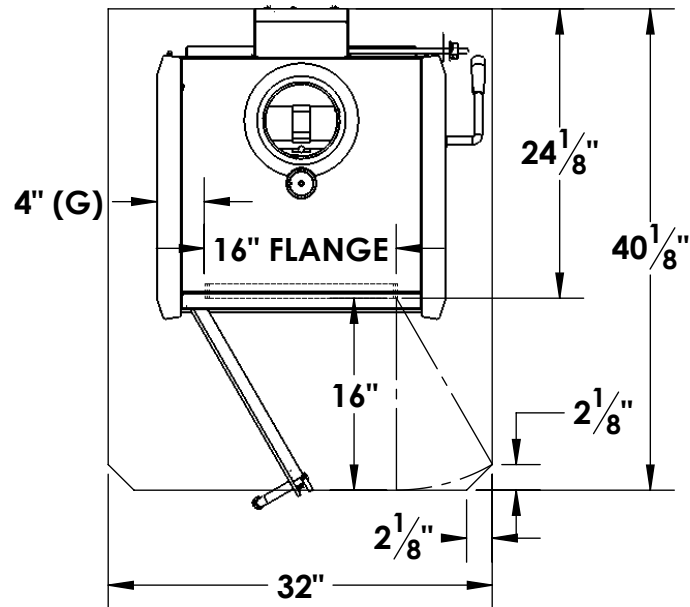
**CK20 HEARTH PAD SPECS**

**CANADIAN HEARTH PAD**

- \*18" FROM FRONT FLANGE TO PAD FRONT
- \*8" FROM UNIT SIDES TO PAD SIDES
- \*8" FROM UNIT BACK TO PAD BACK

**8+24+8 = 40" WIDE**

**18+24 1/8+8 = 50 1/8" DEEP**



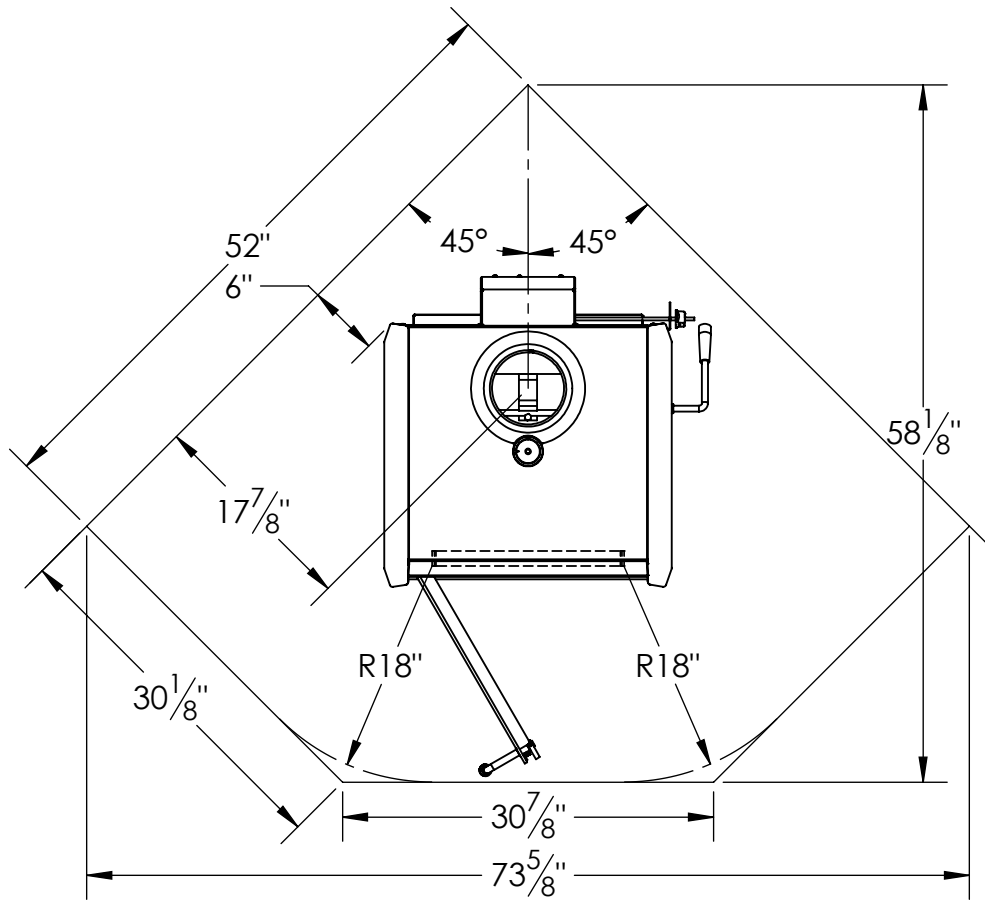
**USA HEARTH PAD**

- \*16" FROM FRONT FLANGE TO PAD FRONT
- \*8" FRONT FLANGE SIDES TO PAD SIDES
- \*0" REAR CLEARANCE

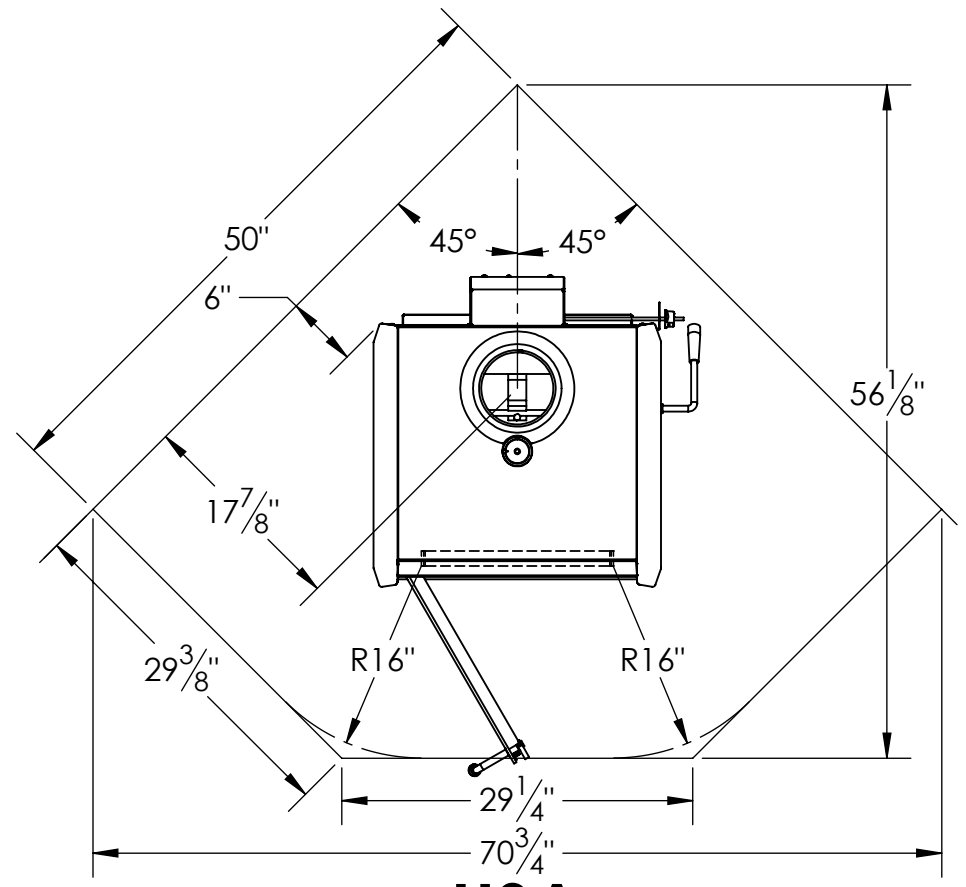
**8+16+8 = 32" WIDE**

**16+24 1/8+0 = 40 1/8" DEEP**

**G = 8 - 4 = 4**



**CANADA**



**USA**