

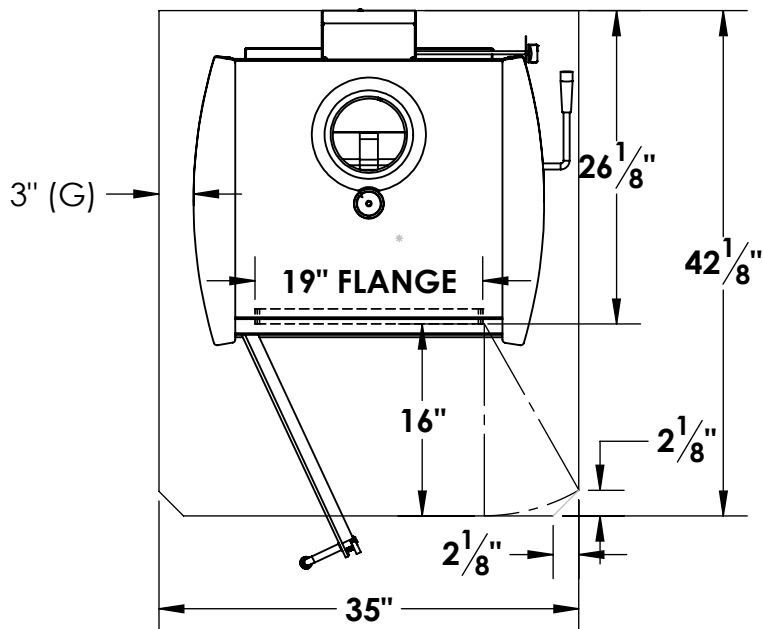
### CK30 HEARTH PAD SPECS

#### CANADIAN HEARTH PAD

- \*18" FROM FRONT FLANGE TO PAD FRONT
- \*8" FROM UNIT SIDES TO PAD SIDES
- \*8" FROM UNIT BACK TO PAD BACK

$18+26\frac{1}{8}+8 = 52\frac{1}{8}"$  DEEP

$8+29\frac{1}{4}+8 = 45\frac{1}{4}"$  WIDE



#### USA HEARTH PAD

- \*16" FROM FRONT FLANGE TO PAD FRONT
- \*8" FRONT FLANGE SIDES TO PAD SIDES
- \*0" REAR CLEARANCE

$16+26\frac{1}{8}+0 = 42\frac{1}{8}"$  DEEP

$8+19+8 = 35"$  WIDE

$G = 8 - 5 = 3"$

