

KE40 HEARTH PAD SPECS

CANADIAN HEARTH PAD

- *18" FROM FRONT FLANGE TO PAD FRONT
- *8" FROM UNIT SIDES TO PAD SIDES
- *8" FROM UNIT BACK TO PAD BACK

$18+27\ 1/8+8 = 53\ 1/8$ " DEEP

$8+31+8 = 47$ " WIDE

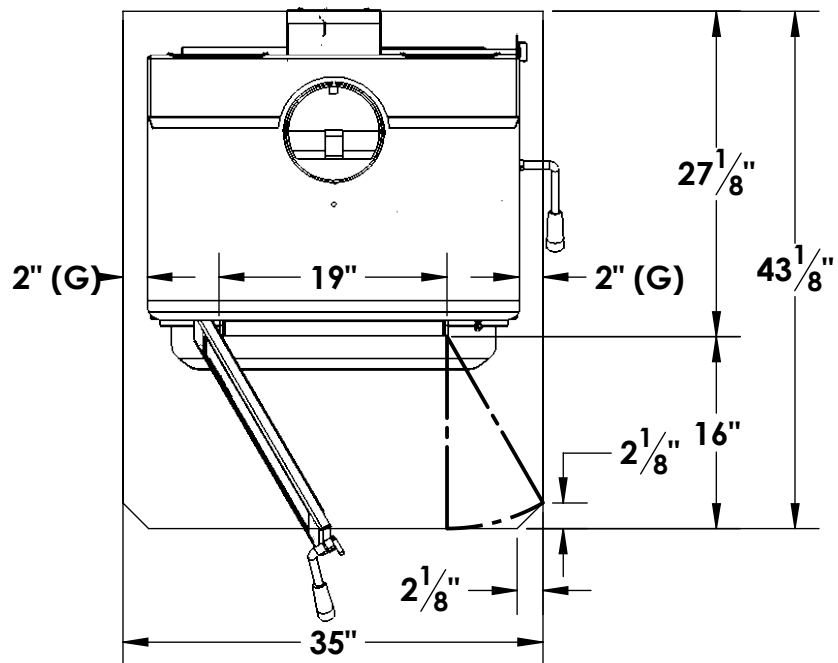
USA HEARTH PAD

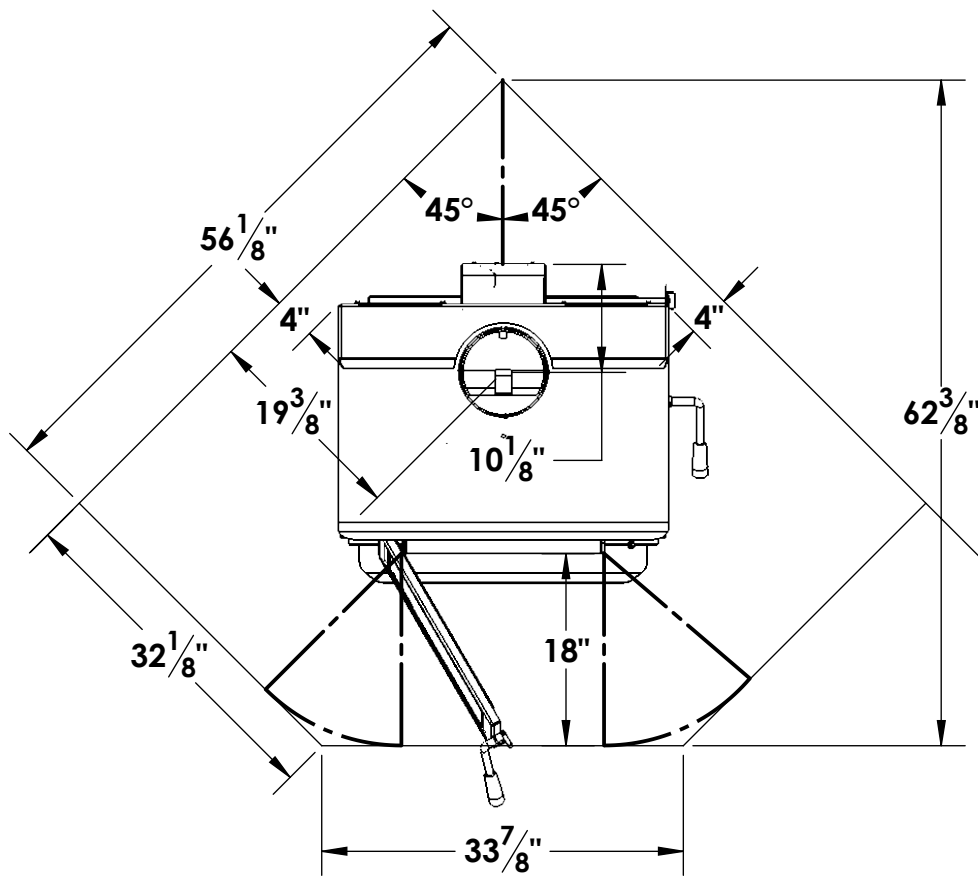
- *16" FROM FRONT FLANGE TO PAD FRONT
- *8" FRONT FLANGE SIDES TO PAD SIDES
- *0" REAR CLEARANCE

$16+27\ 1/8+0 = 43\ 1/8$ " DEEP

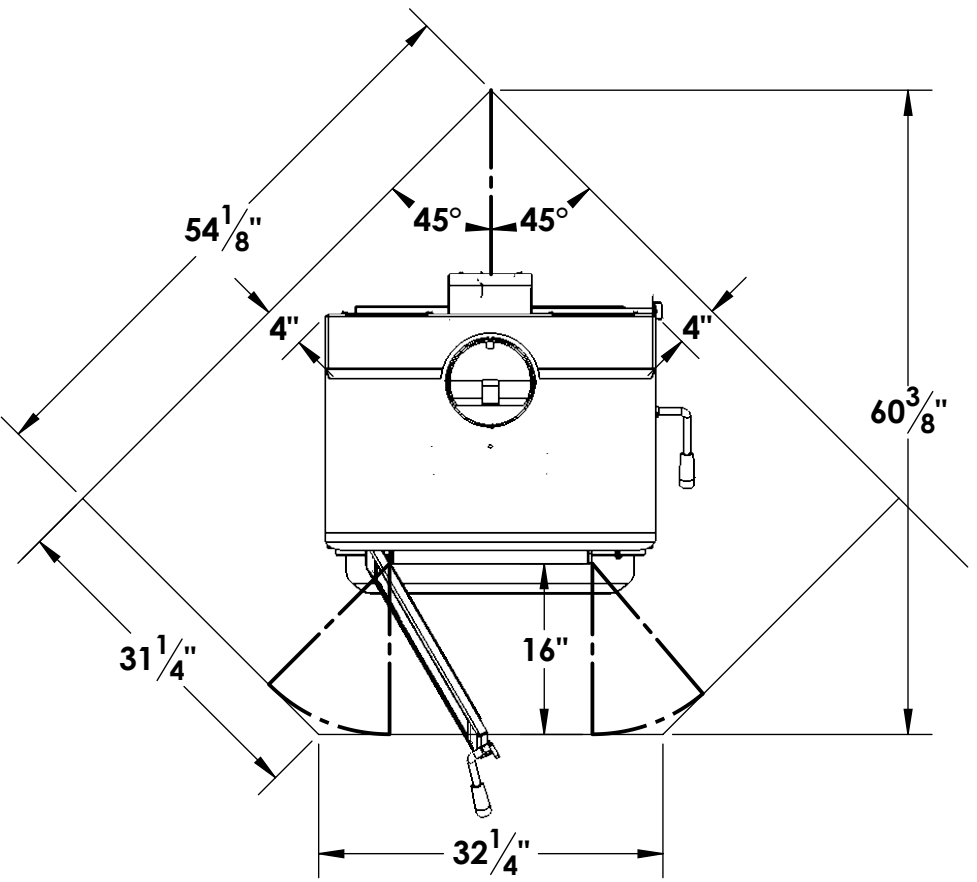
$8+19+8 = 35$ " WIDE

$G = 8-6 = 2$ "





**CANADA
CLEARANCE with HEARTH PAD**



**USA
CLEARANCE with HEARTH PAD**