

SC30 HEARTH PAD SPECS

CANADIAN HEARTH PAD

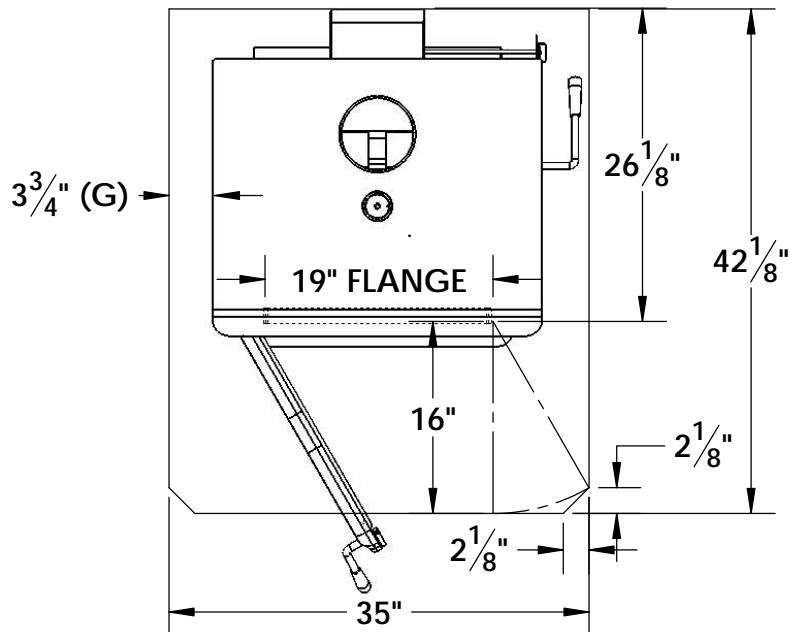
*18" FROM FRONT FLANGE TO PAD FRONT

*8" FROM UNIT SIDES TO PAD SIDES

*8" FROM UNIT BACK TO PAD BACK

$$8 + 27 \frac{1}{2} + 8 = 43 \frac{1}{2}" \text{ WIDE}$$

$$18 + 26 \frac{1}{8} + 8 = 52 \frac{1}{8}" \text{ DEEP}$$



USA HEARTH PAD

*16" FROM FRONT FLANGE TO PAD FRONT

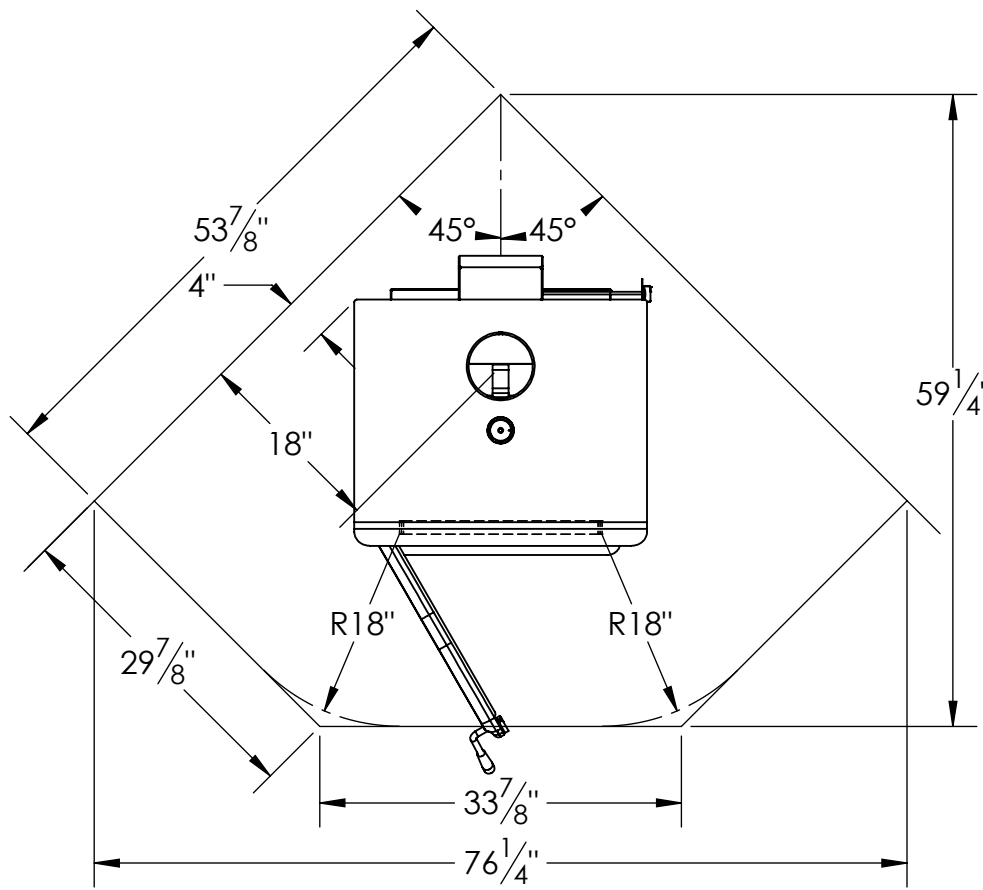
*8" FRONT FLANGE SIDES TO PAD SIDES

*0" REAR CLEARANCE

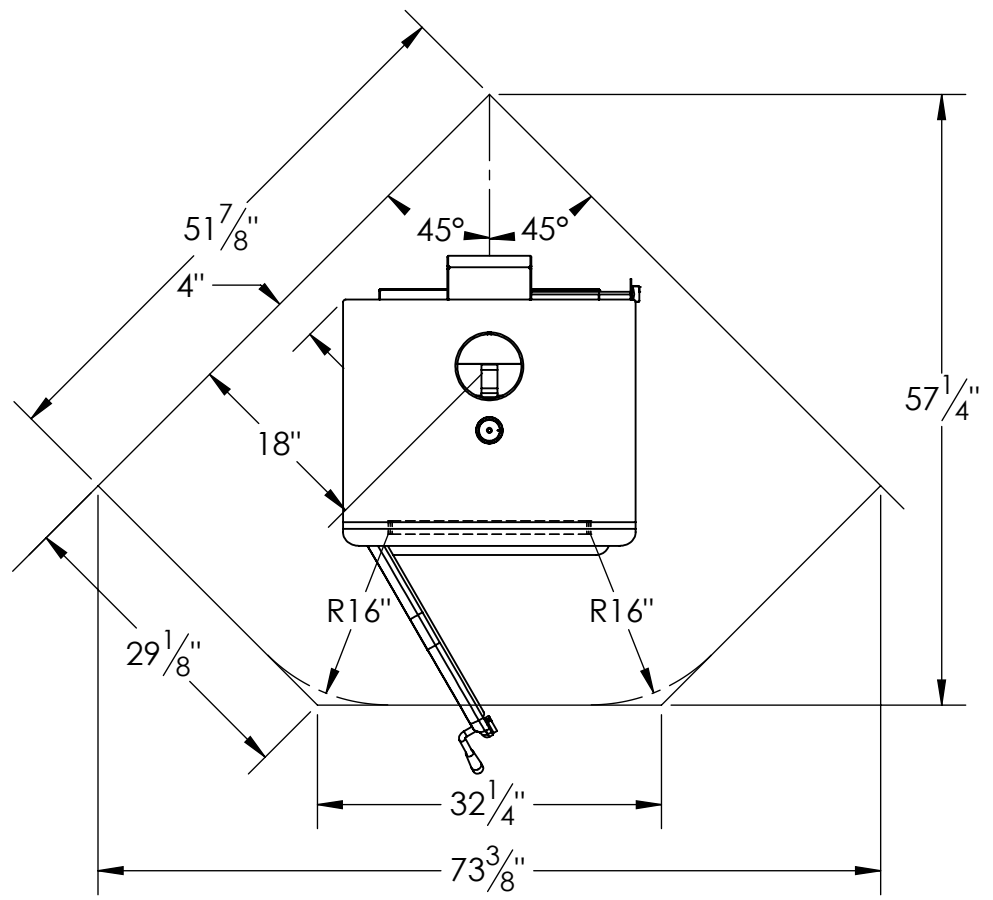
$$8 + 19 + 8 = 35" \text{ WIDE}$$

$$16 + 26 \frac{1}{8} + 0 = 42 \frac{1}{8}" \text{ DEEP}$$

$$G = 8 - 4 \frac{1}{4} = 3 \frac{3}{4}"$$



CANADA



USA