

**VENT TERMINATION LOCATION**

- In heavy snowfall areas make sure vent termination is located where it will not be blocked by snowfall or snow from snow removal equipment.
- Locate vent termination away from plants, bushes, or any other object on or near the vent termination that will interfere or obstruct the air flow around it.

**VENT TERMINATION FRAMING**

Minimum venting is shown in **Fig. 6**. The framing height from the bottom of the appliance to the center of the wall thimble is  $54\frac{1}{2}$ " (1385 mm). Minimum venting must include a 12" (305 mm) vertical section, a 90 degree elbow, and a 6" horizontal section, which is then terminated horizontally.

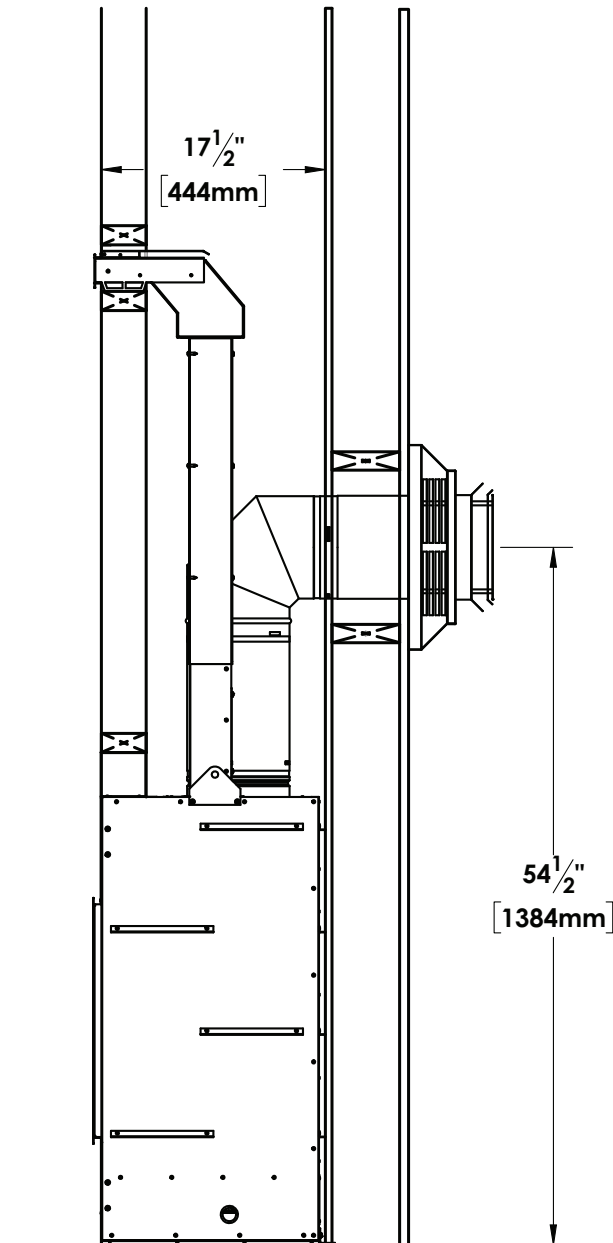
For vertical termination please follow the vent pipe manufacturer's installation instructions for vertical vent termination framing.

A minimum of 1" (25 mm) clearance on all sides of the vertical vent pipe must be maintained.

For every 12" (305 mm) of horizontal run there must be a  $\frac{1}{4}$ " (6.4 mm) of rise.

1" (25 mm) of clearance between framing and venting must be maintained at all times. 3" (76 mm) above the venting and 3" (76 mm) above an elbow.

Please refer to vent cap clearances "**VENT TERMINATION CLEARANCES**", as well as local building and fire codes.



**Fig. 6 Minimum Horizontal Venting**

**FLOOR PROTECTION**

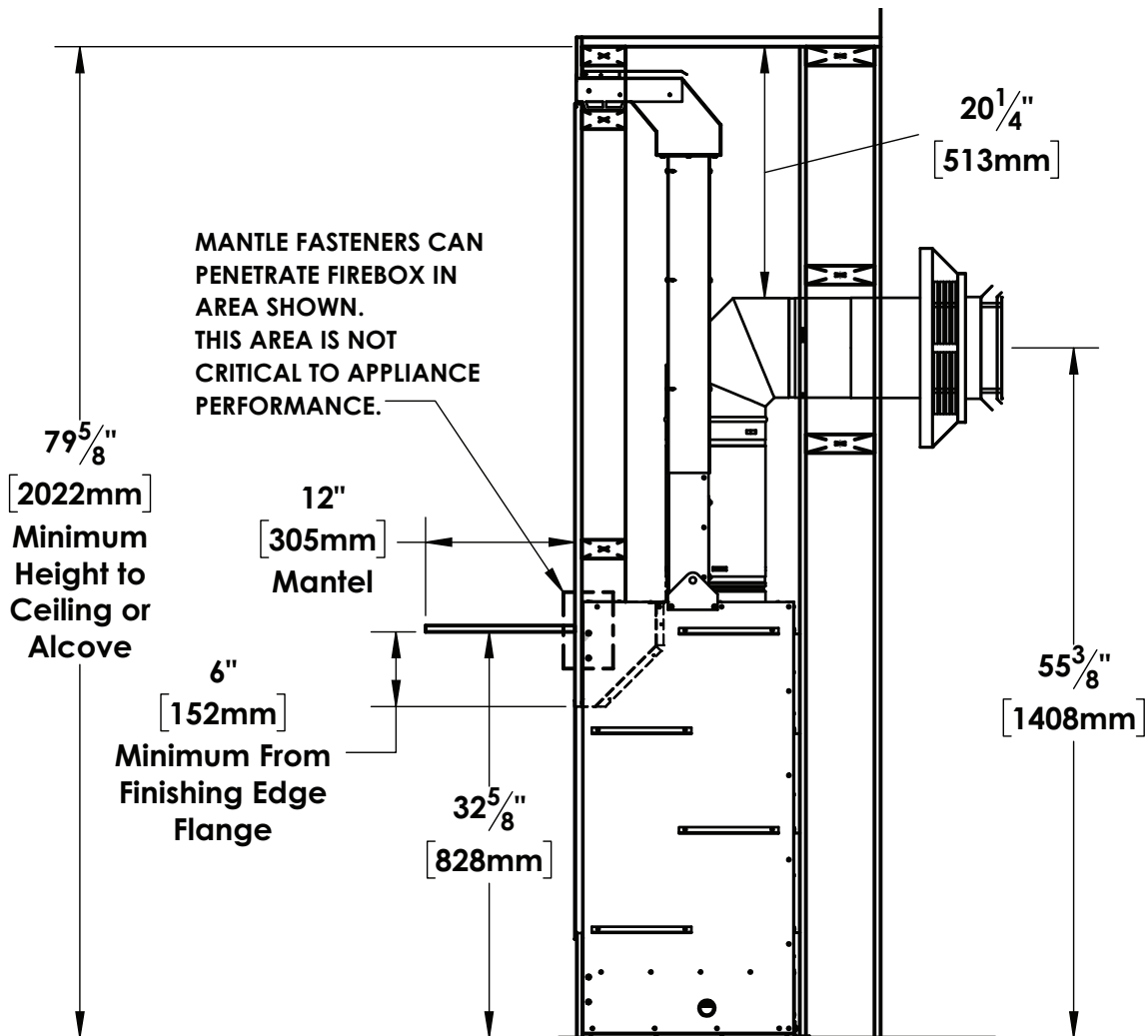
This appliance may be installed on a combustible floor. If the appliance is to be installed directly on carpeting, tile, or other combustible materials other than wood flooring, then a metal or wood panel extending the full width and depth of the appliance must be installed.

Raised installations: A solid, continuous platform must be constructed below the appliance which is at least 51 1/2" (1308 mm) wide x 17.5" (445 mm) deep.

**MINIMUM MANTEL AND CEILING / ALCOVE REQUIREMENTS**

If installing a mantel above the appliance then note the minimum dimensions that were determined during certification and testing. **Fig. 7** shows minimum distances from the top finishing edge flange and bottom of the appliance to a 12" max. combustible mantel. If you are installing a TV above the appliance refer to "TV INSTALLATION AND TV RECESS"

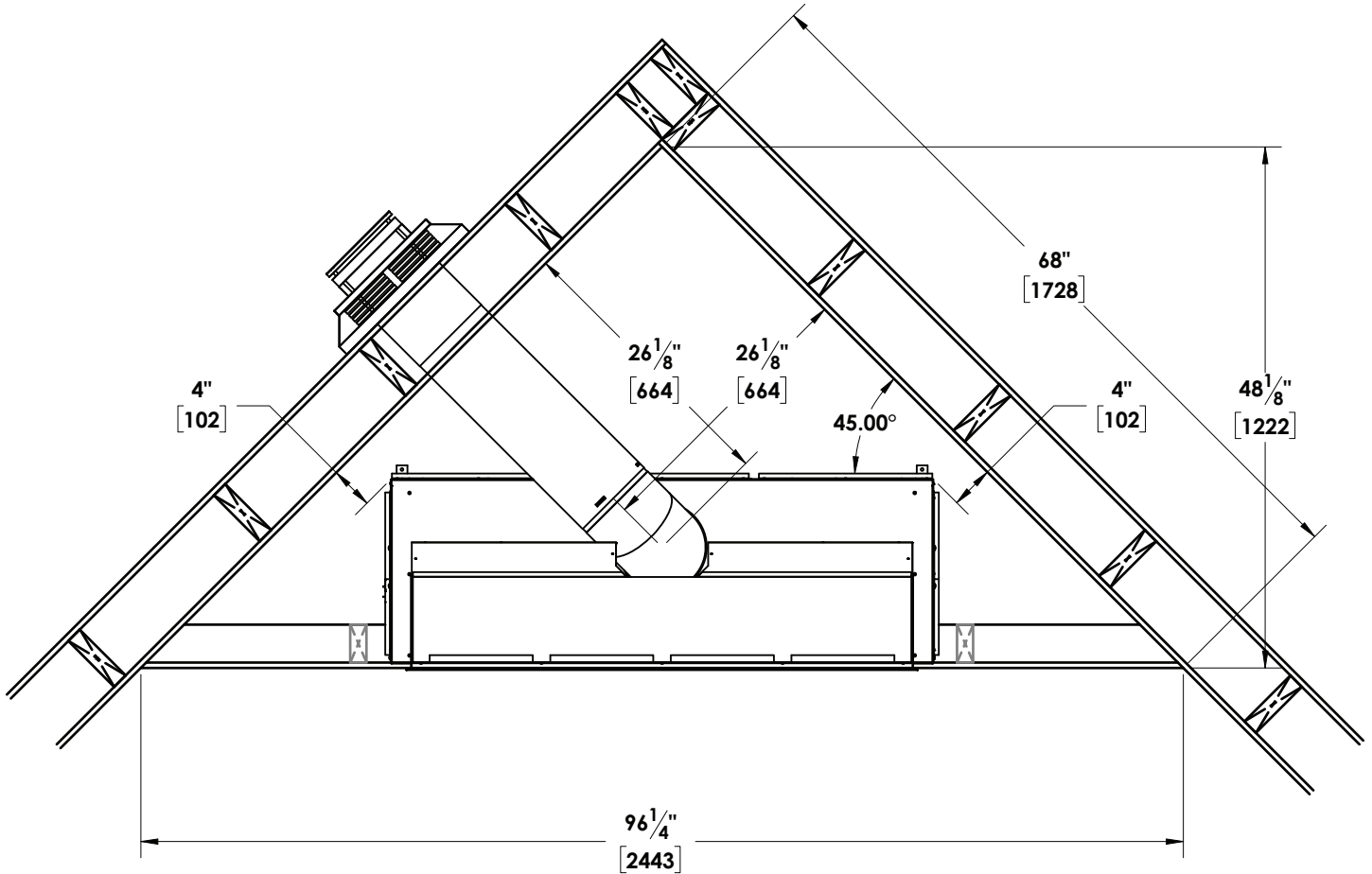
Also note minimum height from the bottom of the unit to ceiling or alcove.



**Fig. 7 Minimum Mantel and Ceiling / Alcove Heights**

**CORNER INSTALLATION**

Shown below are the minimum clearances in **Fig. 8**. Do not interfere with the structural integrity of wall construction.



**Fig. 8 Dimensions for a Corner Installation**

**FLEX VENTING**

This appliance is certified to work with aluminum co-axial flex venting; figure out your venting configuration to determine which option is correct for your particular setup, see “**APPROVED CO-AXIAL VENT CONFIGURATIONS**”. **WARNING: Adhere to all rigid venting safety measures and clearances.**

Note: Flex venting can be used for any configuration that rigid is approved for.

**Important Information:**

-Do not bend horizontal vent over 90 degrees.

-All horizontal runs should have a minimum 1/4" (6.4 mm) rise per foot for optimal performance.

-Do not allow the inner flex pipe to contact the outer pipe, keep it pulled tight.

-Do not add any extensions to the preset kits, if more length is required, use rigid pipe.

-No need for liquid sealant; secure flex venting with aluminum vent tape and apply sufficient self-tapping screws.

**Approved flex venting options:**

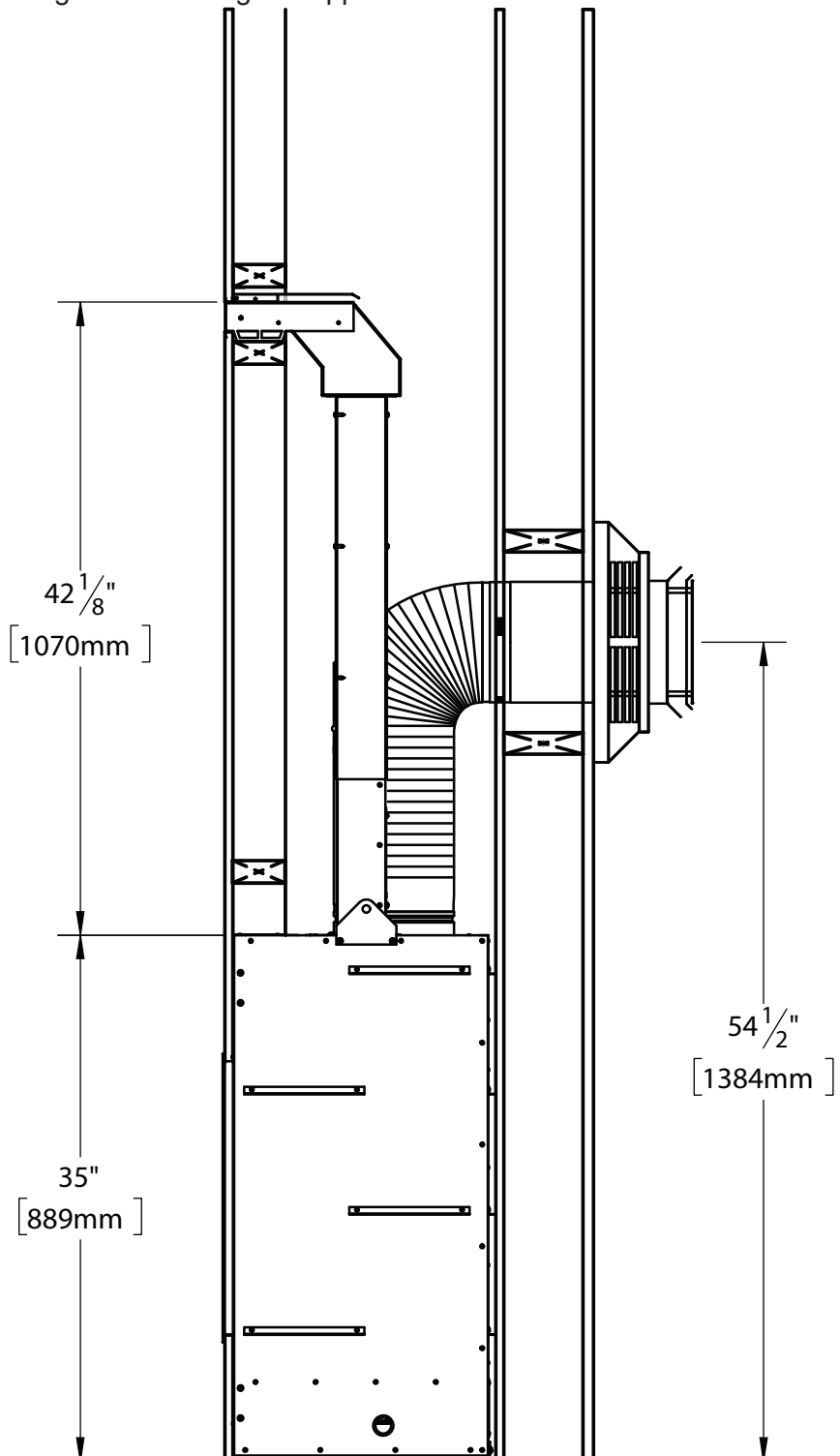
5X8 DuraVent 4ft length

[58DVA-48FF]:

Flexible solution to an otherwise rigid vent run (DuraVent Pro systems ONLY, order through dealer).

5X8 DuraVent 10ft length

[58DVA-120FF]: Flexible solution to an otherwise rigid vent run (DuraVent Pro systems ONLY, order through dealer)



**Fig. 9 Flex Venting Installation**