

MINIMUM CLEARANCES

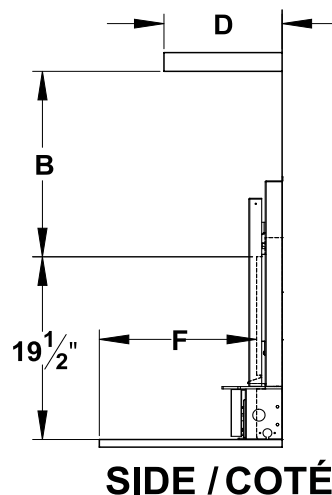
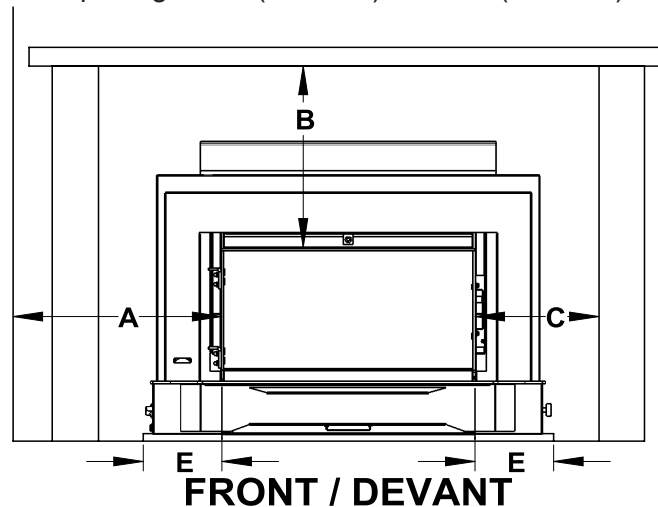
A	Side of door flange to combustible wall	13.5" (343 mm)
B	Top of door flange to bottom of mantel / combustible facing	20" (508 mm)
C	Side of door flange to combustible facing	10" (254 mm)
D	Maximum mantel width	12" (305 mm)
E	Minimum side hearth extension from door flange	8" (203 mm)
F	Minimum front hearth extension from door flange	16" (406 mm) in USA 18" (457 mm) in CANADA

This appliance must be installed in compliance with all local codes and regulations.

Refer to local codes and pipe manufacturer specs for required minimum clearances.

Minimum clearances may only be reduced by means approved by the regulatory authority.

Minimum fireplace opening is 29" (737 mm) W x 22" (559 mm) H x 19" (483 mm) D.

**FLOOR PROTECTION**

If the bottom of the appliance is at least 5" (125 mm) above (combustible) floor level, only ember protection is required (UL1618 Type 1) extending 16" (406 mm) in USA or 18" (457 mm) in Canada in front of the door and extending 8" (203 mm) from either side of the door opening. If the bottom of the appliance is within 5" of (combustible) floor level, then a layer of non-combustible thermal protection (UL1618 Type 2, R=1.06 minimum) is required under the appliance extending 16" (406 mm) in the USA and 18" (457 mm) in Canada.